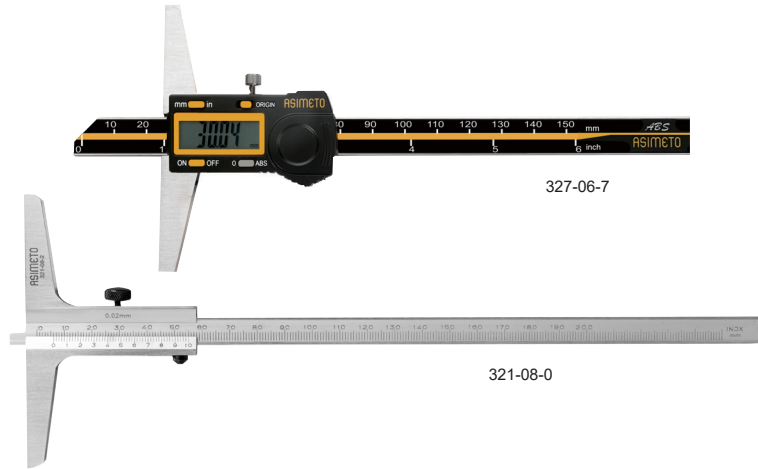




## ABS Tiefen-Messschieber ABS depth caliper



### AUSFÜHRUNG

- Auflösung:  
digitale Modelle: 0.01mm / .0005"  
nonius Modelle: 0.05mm
- Messflächen sind feingeschliffen
- Gehärteter Edelstahl

### STANDARD ZUBEHÖR

- Batterie
- Garantieschein, Bedienungsanleitung, Prüfschein

### FEATURES

- Resolution:  
Digital models: 0.01mm / .0005"  
Vernier models: 0.05mm
- Measuring surfaces are precision ground for accuracy
- Stainless steel, hardened

### STANDARD ACCESSORIES

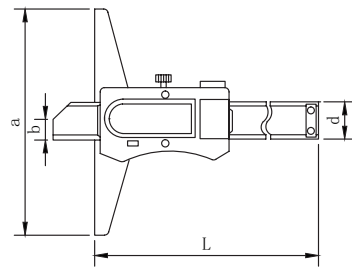
- Battery
- Warranty card, instruction manual, test certificate

### TECHNISCHE DATEN / SPECIFICATIONS

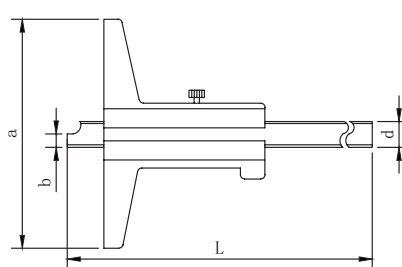
Messbereich	Ableseung	Genauigkeit	Best.-Nr.
Range	Graduation	Accuracy	Code No.
<b>Digitale Modelle / Digital models</b>			
0-150mm	0.01mm	±0.02mm	327-06-7
0-200mm	0.01mm	±0.03mm	327-08-7
0-300mm	0.01mm	±0.04mm	327-12-7
<b>Mechanische Modelle / Mechanical models</b>			
0-150mm	0.05mm	±0.05mm	321-06-0
0-200mm	0.05mm	±0.05mm	321-08-0
0-300mm	0.05mm	±0.05mm	321-12-0

#### Abmessung / Dimension

#### Digitale Modelle / Digital models

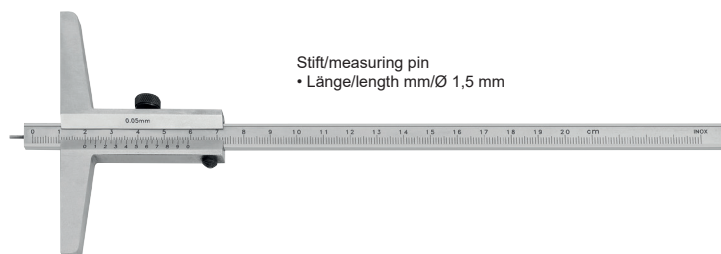


#### Mechanische Modelle / Mechanical models



Messbereich	Digitale Modelle / Digital models				Mechanische Modelle / Mechanical models			
	Range	L	a	b	d	L	a	b
0-150mm	230mm	100mm	8.5mm	14.5mm	250mm	100mm	5mm	10mm
0-200mm	280mm	100mm	8.5mm	14.5mm	300mm	100mm	5mm	10mm
0-300mm	380mm	100mm	8.5mm	14.5mm	400mm	100mm	5mm	10mm

## Tiefenmessschieber mit rundem Stift Vernier depth gauge with round pin



### AUSFÜHRUNG

- DIN 862
- rostfreier Stahl
- Ableseteile mattverchromt
- Feststellschraube
- inkl. Etui

### FEATURES

- DIN 862
- stainless steel
- satin chromed reading parts
- lock screw
- incl. box

Messbereich	Ableseung	Brückenlänge	Durchmesser Stift	Best.-Nr.
Range	Graduation	Length of Base	Diameter Pin	Code No.
<b>Mechanische Modelle / Mechanical models</b>				
80mm	0.05mm	50mm	1.5mm	120-25
150mm	0.05mm	100mm	1.5mm	120-23
200mm	0.05mm	100mm	1.5mm	120-26
300mm	0.05mm	100mm	1.5mm	120-24