

MarCator 1087 R-HR

Digital indicator



FUNCTIONS

- ON/OFF
- RESET (set display to zero)
- mm/inch
- Reversal of counting direction
- PRESET (for entering a numerical value)
- TOL (enter tolerance limit values)
- MAX/MIN memory for searching the reversal point
- (MAX-MIN) for testing flatness and concentricity
- ABS (display can be set to zero without losing reference to preset)
- DATA (data transmission via connection cable)
- Factor (adjustable)
- LOCK (individual key lock)



Applications:

High-resolution model: Resolution 0.1 μm

- Extensive measuring functions for:
 - Static measurements e.g. lengths, distances and length differences
 - Dynamic measurements e.g. radial runout, straightness and flatness, by means of MAX / MIN / MAX-MIN functions

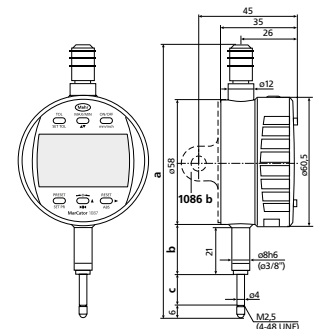
FEATURES

- High contrast LCD display
- Operating and display unit (bezel) can be rotated through 280°
- Immediate measurements due to the Reference System
- Lifter protection cap on the measuring spindle
- Mounting shank and measuring spindle are both made of hardened stainless steel
- **Software:** MarCom Professional free download: www.mahr.com/marcom (only for Mahr data cables and wireless systems with USB and RS-232 interface)
- **Digit height:** 8,5 mm
- **Data interface:** Opto RS-232C, Digimatic, USB
- **Energy supply:** Battery life approx. 3 years
- **Battery type:** CR 2450N (3V Lithium)
- **IP protection category:** IP 42
- **Package contains:** instruction manual, battery

TECHNICAL DATA

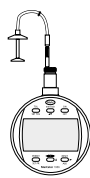
Order no.	4337695	4337696
Type	1087 R-HR	
Measuring span	mm	12.5
Measuring span	inch	.5"
Resolution	mm	0.0001, 0.0005, 0.001, 0.002, 0.005, 0.01
Resolution	inch	.00001", .00002", .00005", .0001", .0002", .0005"
Range of analog display	mm	± 0.002, ± 0.01, ± 0.02, ± 0.04, ± 0.1, ± 0.2
Range of analog display	inch	± .0002", ± .0004", ± .001", ± .002", ± .004", ± .01"
Error limit	mm	0.0018
Error limit over 50 graduations	mm	0.0005
Measuring force	N	0.65 – 0.9
Standard	Factory standard	
Lifting protection cap	•	

Order no.	a	b	c	Mounting shaft
	mm	mm	mm	mm
4337695	126.3	23	13.5	8
4337696	153.4	26.8	26.5	8

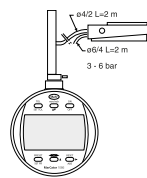


ACCESSORIES

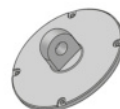
Order no.	Description	Type
4102357	16 EXu data connection cable USB (2 m)	16 EXu
4102915	Interface adapter with data cable Digimatic (2 m)	16 EWd
4102410	Data connection cable RS232C (2 m)	16 EXr
4375004	Protective cap for 1075 R / 1086 R / 1087 R	1086 s
4337421	Lug back	1086 b
4336311	Cable release (12.5 + 25 mm)	1085 a
4336237	Pneumatic lifting (12.5 + 25 mm)	1082 p
4310103	Adapter bushing (.375" / 8 mm)	940



1085 a



1082 p



1086 b