

# Millimes 2000 W / 2000 Wi

## Inductive dial comparator



### FUNCTIONS

- ON/OFF
- mm/inch
- RESET (set display to zero)
- PRESET (for entering a numerical value)
- ABS (reference to the electrical zero point)
- Selectable resolution
- TOL (tolerance and warning limits input)
- Factor (adjustable)
- Reversal of counting direction
- HOLD (storage of measured values)
- LOCK function (key lock)
- DATA (data transmission)
- Bidirectional data interface (external output and input option of characteristic values as well as setting of individual lock functions by MarCom Software)

### FEATURES

- Advantages of tempered glass front with touch control panels:
  - Scratch and impact resistant surface
  - Excellent protection against dust, coolants and lubricants
  - Wear-free touch operating keys
  - Improved safety of measurement values in measuring stands, as only a light touch of the key
  - No keystroke - is required, thus no adjustment or deformation of the measuring device
- High contrast LCD display
- Clear tolerance symbols and colored LED signals (red, green, yellow) for measured value classification
  - **with** warning limit input: No Go / Go / Warning Limit
  - **without** warning limit input: No Go / Go / Rework
- Operating and display unit (bezel) can be rotated through 280°
- Mounting shank and measuring spindle are both made of hardened stainless steel
- Measuring spindle is mounted in a high precision ball guide for minimal hysteresis
- Linearized inductive absolute measuring system
- Measuring force spring is interchangeable
- Lower stop is adjustable
- **Software:** MarCom Professional free download: [www.mahr.com/marcom](http://www.mahr.com/marcom) (only for Mahr data cables and wireless systems with USB and RS-232 interface)
- **Digit height:** 11.5 mm
- **Energy supply:** Integrated



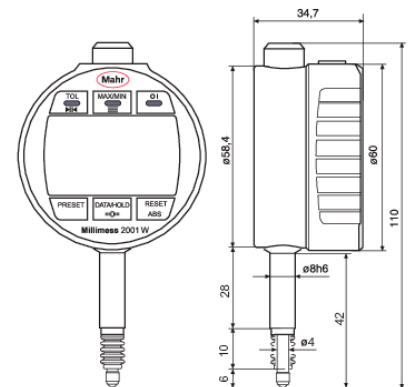
### Application:

- For static measuring tasks

### TECHNICAL DATA

Order no.	4346700	4346701
Type	2000 W	2000 Wi
Measuring range	mm	± 1
Measuring range	inch	± .04"
Resolution	mm	0.0001, 0.0002, 0.0005, 0.001, 0.002, 0.005, 0.01
Resolution	inch	.000005", .00001", .00002", .00005", .0001", .0002", .0005"
Error limit	µm	± (0.2 + L/2) L in mm
Measuring value hysteresis $f_v$	µm	0.3
Repeatability $f_w$	µm	0.1
Standard		Factory standard
Free stroke	mm	2.5
Measuring force	N	0.9 ± 0.1 (at the electrical zero point)
IP protection category		IP 64
Data interface	USB, Digimatic	Integrated Wireless, USB, Digimatic
Supply voltage		100–240 V

Order no.	Mounting shaft
	mm
4346700	8
4346701	8



rechargeable accumulator (up to 4 weeks) or powered by USB data cable

- **Battery type:** Lithium Polymer Accu 3.7 V
- **Package contains:** instruction manual, USB data and charging cable type DK-U1, plug-in power supply (with 4 interchangeable adapters) for USB, rubber bellows, screwdriver for pre-stroke adjustment (hexagon socket 0.9 mm), case