

MarStand 815 MA

Measuring tripod with magnetic base

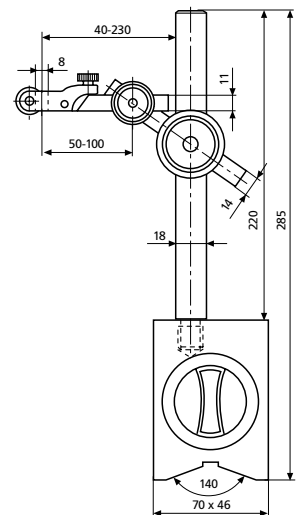
FEATURES

- Support arm with two joints
- Base has a powerful ON/OFF permanent magnet
- Magnetic force is active across:
 - Surfaces
 - V-shaped bottom
 - Front of base
- Post and support arm are made of stainless steel
- Support arm can be finely adjusted
- Package excludes indicator



TECHNICAL DATA

Order no.		4416000	4416050
Type			815 MA
Precision adjustment range	mm		2
Total height	mm		285
Total height	inch		11.2"
Projection (max.)	mm		230
Projection (max.)	inch		9.06"
Mounting hole		8H7	.375"
V-block for shaft diameter	mm		20 – 100
Adhesive force prism	N		450
Product weight	kg		2.50



ACCESSORIES

Order no.	Description
4416001	Wooden case