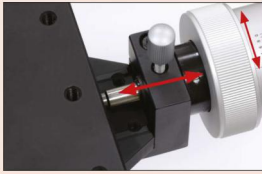


Micrometer Heads for XY-Stage

Specifications

Measuring face
 Hardened steel (>60 HRC)
 152-390, 152-389,
 152-392, 152-391
 carbide tipped 152-402,
 152-401



152-402, 152-401

The zero point setting ring allows spindle travel without changing the scale drum position, thus simplifying zero point setting.

Series 152 - XY Stage type

These XY Stage type micrometer heads let you read measurement values easily. They offer the following benefits:

- Micrometer heads especially designed for accurate cross-travel stage translation in X and Y axes.
- Spindle end: Flat form and hardened, or spherical with carbide tip (more than HRA90), lapped surface.



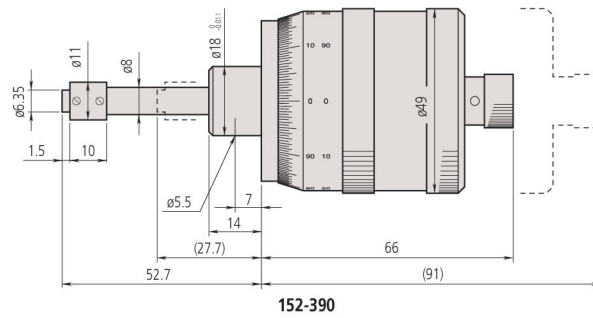
152-390



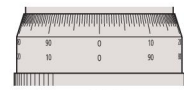
152-402

Metric

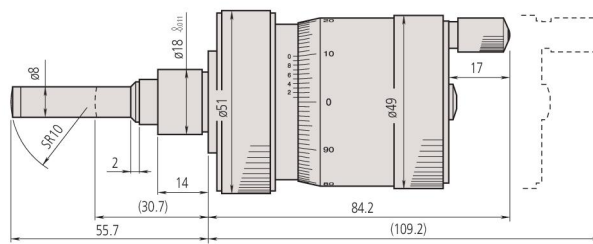
No.	Range [mm]	Maximum Permissible Error J MPE	Graduation	Spindle end	Spindle pitch	Stem	Stem Ø	Special features	Mass [g]
152-390	0 - 25	±2 µm	0,005 mm	Flat with non-rotating device	1 mm	Plain	18 mm	For X-axis Bidirectional grad.	270
152-389	0 - 25	±2 µm	0,005 mm	Flat with non-rotating device	1 mm	Plain	18 mm	For Y-axis Bidirectional grad.	270
152-402	0 - 25	±2 µm	0,001 mm	Spherical (SR10)	1 mm	Plain	18 mm	For X-axis	460
152-401	0 - 25	±2 µm	0,001 mm	Spherical (SR10)	1 mm	Plain	18 mm	For Y-axis	460



152-390

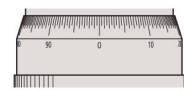


152-389



152-402

(): with spindle full retracted



152-401