

# Inside Micrometers with Interchangeable Rod

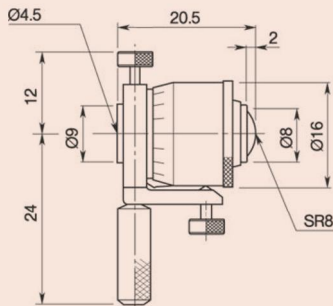
## Specifications

Accuracy	$\pm(6+L/50) \mu\text{m}$ , L = Maximum measuring length (mm)
Scale	Thimble and sleeve satin chrome finish
Measuring spindle	Spindle pitch 0,5 mm with spindle lock
Measuring face	Hardened
Delivered	Including box, key

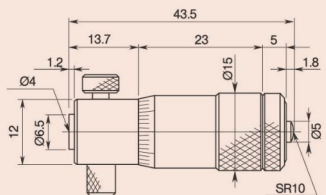


When using one of the extension rods supplied

141-101 with extension handle



141-001/003



141-025/027

## Series 141 - Interchangeable Rod Type

This is an interchangeable rod type inside micrometer that offers you the following benefits:

- Interchangeable measuring rods and spacers achieve the full specified measuring range.
- Each interchangeable rod is marked with its measuring range.
- An extension handle to help you measure deep bores is included in sets up to 300 mm range.



141-205

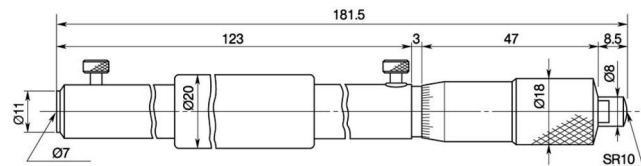
### Metric

No.	Range [mm]	Head adjustment range [mm]	Graduation	Interchangeable rod	Extension collar	Accessories: inside micrometer (standard in the set) No.	Mass [g]
141-101	25 - 50	7	0,01 mm	2 (38, 50 mm)	1 (6 mm)	141-1	60
141-205	50 - 200	13	0,01 mm	3 (100, 150, 200 mm)	1 (12 mm)	141-25	125
141-206	50 - 300	13	0,01 mm	5 (100, 150, 200, 250, 300 mm)	1 (12 mm)	141-25	275
141-117	200 - 500	25	0,01 mm	3 (300, 400, 500 mm)	2 (25/50 mm)	141-9	520
141-118	200 - 1000	25	0,01 mm	8 (300, 400, 500, 600, 700, 800, 900, 1.000 mm)	2 (25/50 mm)	141-9	1940

### Metric

With carbide measuring surface

No.	Range [mm]	Head adjustment range [mm]	Graduation	Interchangeable rod	Extension collar	Accessories: inside micrometer (standard in the set) No.	Mass [g]
141-103	25 - 50	7	0,01 mm	2 (38, 50 mm)	1 (6 mm)	141-3	60
141-211	50 - 200	13	0,01 mm	3 (100, 150, 200 mm)	1 (12 mm)	141-27	125
141-212	50 - 300	13	0,01 mm	5 (100, 150, 200, 250, 300 mm)	1 (12 mm)	141-27	275



141-009