

ABSOLUTE Coolant Proof Calipers IP67

Functions	Series 500
ORIGIN (ABS-Zero)	●
Auto Power OFF after 20 min. non use	●
Low voltage alarm	●

Specifications

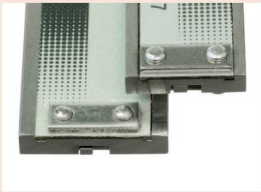
Max. response speed	Unlimited
Display	LCD, character height 9 mm (150, 200 mm) 11 mm (300 mm)
Delivered	In a case, including 1 battery
Battery life	Approx. 5 years under normal use

Optional accessories

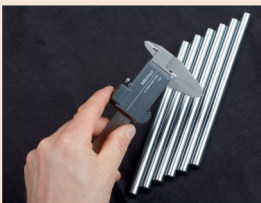
No.	Description
05CZA624	Digimatic Cable with Data Button IP Type, 1m, Caliper Type
05CZA625	Digimatic Cable with Data Button IP Type, 2m, Caliper Type
06AFM380A	USB Input Tool Direct (Digimatic USB), Digi/Digi2, With Data Button IP Caliper Type
264-620	U-WAVE fit, IP67 Type, Wireless Transmitter for Caliper
264-621	U-WAVE fit, Buzzer Type, Wireless Transmitter for Caliper
02AZF310	Connection Unit, U-WAVE fit, Waterproof Type
050083-10	Depth Base Attachment for Caliper, 75mm width, 75mm width for 100, 150, 200mm Range
050084-10	Depth Base Attachment for Caliper, 100mm width for 100, 150, 200mm Range
050085-10	Depth Base Attachment for Caliper, 125mm width for 300mm Range

Consumable spares

No.	Description
938882	Battery SR44 1.5V



Beam 150 and 200 mm or 300 mm

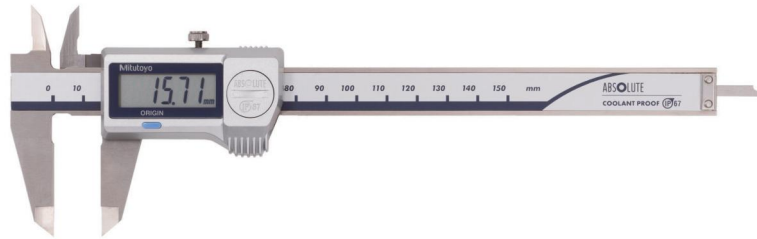


With Wireless System U-WAVE fit

Series 500

This IP67 ABSOLUTE digimatic caliper allows reliable measurements in a wide range of situations and offers you the following benefits:

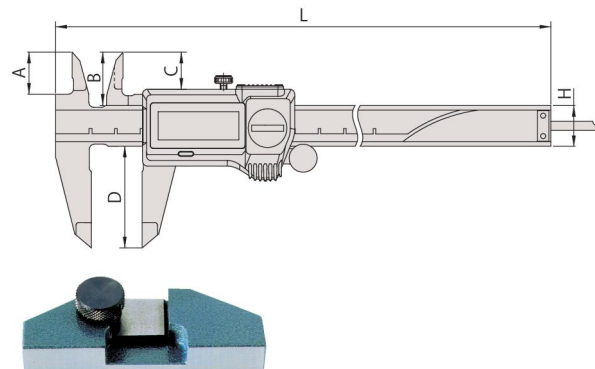
- Excellent resistance against water and dust (IP67 protection level) enabling use in machining situations that include splashing coolant fluid
- It is dustproof, complies with EN60529 and withstands temporary complete immersion in water without suffering any damage.
- Extraordinarily long battery life
- ABS (ABSOLUTE) scale requires no origin setting after power-on and has no limit to response speed.



500-706-20

Metric

No.	Range [mm]	Depth bar	Thumb roller	Accuracy	Data output	Mass [g]	L [mm]	A [mm]	B [mm]	C [mm]	D [mm]	H [mm]
500-706-20	0 - 150	flat		±0,02 mm		164	233	16,5	21	14,6	40	16
500-709-20	0 - 150	∅ 1,9 mm		±0,02 mm		164	233	16,5	21	14,6	40	16
500-716-20	0 - 150	flat		±0,02 mm	●	164	233	16,5	21	14,6	40	16
500-707-20	0 - 200	flat		±0,02 mm		194	290	20	24,5	18,1	50	16
500-717-20	0 - 200	flat		±0,02 mm	●	194	290	20	24,5	18,1	50	16
500-708-20	0 - 300	flat		±0,03 mm		345	404	22	27,5	19,8	64	20
500-718-20	0 - 300	flat		±0,03 mm	●	345	404	22	27,5	19,8	64	20
500-702-20	0 - 150	flat	Yes	±0,02 mm		164	233	16,5	21	14,6	40	16
500-712-20	0 - 150	flat	Yes	±0,02 mm	●	164	233	16,5	21	14,6	40	16
500-719-20	0 - 150	∅ 1,9 mm	Yes	±0,02 mm	●	164	233	16,5	21	14,6	40	16
500-703-20	0 - 200	flat	Yes	±0,02 mm		194	290	20	24,5	18,1	50	16
500-713-20	0 - 200	flat	Yes	±0,02 mm	●	194	290	20	24,5	18,1	50	16
500-704-20	0 - 300	flat	Yes	±0,03 mm		345	404	22	27,5	19,8	64	20
500-714-20	0 - 300	flat	Yes	±0,03 mm	●	345	404	22	27,5	19,8	64	20



050083-10

