

# ABSOLUTE Digimatic Calipers with Nib Style and Standard Jaws

## Series 551

This is a Digimatic caliper with nib-style and standard jaws. It offers you the following benefits:

- Knife-shaped measuring surfaces allow you to take outside measurements.
- Rounded measuring surfaces enable you to measure inside dimensions.
- ABSOLUTE System delivers reliable measurements.



200/300 mm

**ABSOLUTE®**

	551-204-10 up to 551-207-10	551-301-20 551-331-20
<b>Functions</b>		
ORIGIN (ABS-Zero)	●	●
ON/OFF	●	
Auto Power OFF after 20 min. non use		●
Low voltage alarm	●	●
Data output	●	●

### Specifications

Max. response speed	Unlimited
Battery life	Approx. 5 years, 3,5 year (>300 mm)

### Optional accessories

No.	Description
959149	Digimatic Cable, Straight, Data Button,, 1m
959150	Digimatic Cable, Straight, Data Button,, 2m
06AFM380C	USB Input Tool Direct (Digimatic USB), Digi/Digi2, Straight, with Data Button
02AZD880G	U-WAVE-T, Buzzer Type, Wireless Transmitter
02AZD730G	U-WAVE-T, IP67 Type, Wireless Transmitter
02AZD790C	U-WAVE-T Connection Cable C, Straight, with Data Button
959143	Data Hold Unit

### Optional accessories for IP67

No.	Description
05CZA625	Digimatic Cable with Data Button IP Type, 2m, Caliper Type
05CZA624	Digimatic Cable with Data Button IP Type, 1m, Caliper Type
06AFM380A	USB Input Tool Direct (Digimatic USB), Digi/Digi2, With Data Button IP Caliper Type
264-621	U-WAVE fit, Buzzer Type, Wireless Transmitter for Caliper
02AZF310	Connection Unit, U-WAVE fit, Waterproof Type

### Consumable spares

No.	Description
938882	Battery SR44 1.5V

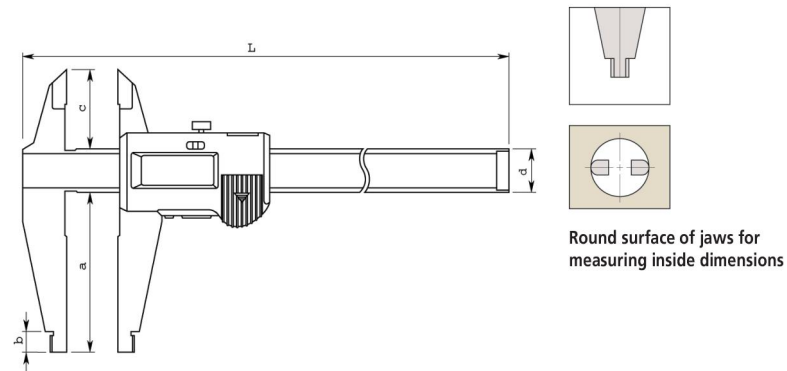
\*10 mm



551-301-20

### Metric

No.	Range [mm]	Inside measuring from	Accuracy	Data output	Mass [g]	L [mm]	a [mm]	b [mm]	c [mm]	d [mm]
551-301-20	0 - 200	10,1 mm	±0,03 mm	Yes	190	290	60	8	30	16
551-331-20	0 - 300	10,1 mm	±0,04 mm	Yes	400	404	90	10	40	20
551-204-10	0 - 500	20,1 mm	±0,06 mm	Yes	1.060	680	150	18	56	25
551-206-10	0 - 750	20,1 mm	±0,06 mm	Yes	1.410	963	150	18	56	25
551-207-10	0 - 1.000	20,1 mm	±0,07 mm	Yes	3.430	1.230	150	20	56	32



Round surface of jaws for measuring inside dimensions



With Wireless System U-WAVE fit (0-200 mm and 0-300 mm only)