

ABSOLUTE Digimatic Carbon Fibre Calipers IP66 with Extra Long Jaws

Series 552

This is a lightweight standard model of Digimatic caliper with extra-long jaws.

It offers you the following benefits:

- Its ultra-lightweight design (with carbon fibre reinforced material) reduces total weight by up to 50%.
- It has excellent resistance against water and dust (IP66 protection level) enabling you to use it in machining situations that include splashing coolant fluid.
- Direct readout of inside measurements from the LCD (you can easily set the offset value by using the offset button).
- Preset function lets you set a desired starting point.

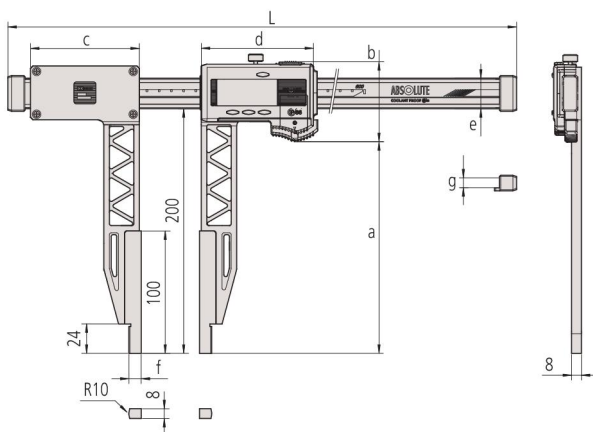


552-151-10

Metric

No.	Range [mm]	Inside measuring from	Accuracy	Data output	Mass [g]
552-150-10	0 - 450	20,1 mm	±0,06 mm	Yes	1215
552-151-10	0 - 600	20,1 mm	±0,06 mm	Yes	1290
552-152-10	0 - 1000	20,1 mm	±0,07mm	Yes	2090
552-153-10	0 - 1500	20,1 mm	±0,11 mm	Yes	2490
552-154-10	0 - 2000	20,1 mm	±0,14 mm	Yes	2890

No.	L [mm]	a [mm]	b [mm]	c [mm]	d [mm]	e [mm]	f [mm]	g [mm]
552-150-10	680	173	65,5	89	91,8	25	10	8
552-151-10	830	173	65,5	89	91,8	25	10	8
552-152-10	1280	170,5	73	110	113,8	32	10	12
552-153-10	1790	170,5	73	110	113,8	32	10	12
552-154-10	2300	170,5	73	110	113,8	32	10	12



Functions	Series 552
DATA (output with cable) / HOLD (display value)	●
ORIGIN (ABS-Zero)	●
Auto Power OFF after 20 min. non use	●
Low voltage alarm	●
Data output	●

Specifications

Max. response speed	Unlimited
Battery life	Approx. 5000 hours

Optional accessories

No.	Description
05CZA624	Digimatic Cable with Data Button IP Type, 1m, Caliper Type
05CZA625	Digimatic Cable with Data Button IP Type, 2m, Caliper Type
06AFM380A	USB Input Tool Direct (Digimatic USB), Digi/Digi2, With Data Button IP Caliper Type
02AZD790A	U-WAVE-T Connection Cable A, with Data Button IP Caliper Type
02AZD880G	U-WAVE-T, Buzzer Type, Wireless Transmitter
02AZD730G	U-WAVE-T, IP67 Type, Wireless Transmitter

Consumable spares

No.	Description
938882	Battery SR44 1.5V



*20 mm