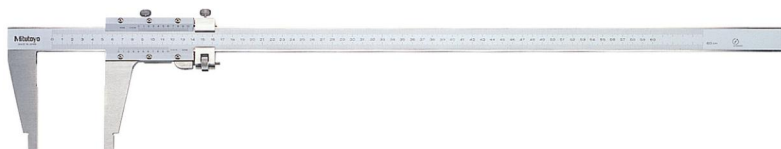


# Vernier Calipers with Nib Style Jaws

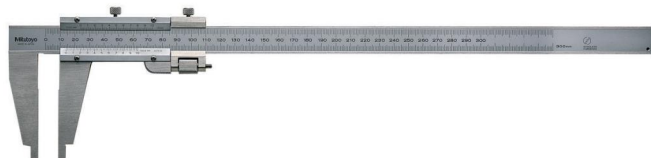
## Series 160

These vernier calipers with nib style jaws come with or without fine adjustment. They offer you the following benefits:

- For the metric only models the top offset vernier scale allows you to directly read the inside dimensions without having to add the nib widths.
- Main scale and vernier scale satin chrome finish gives you high readability.



160-101

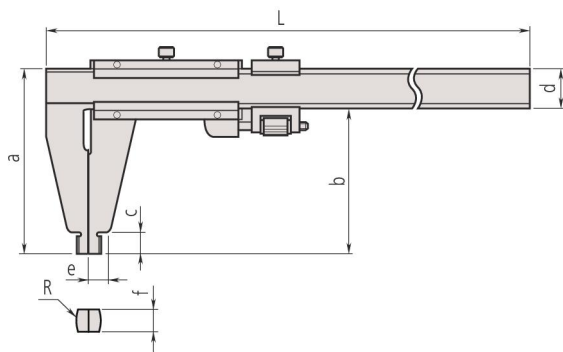


160-127

### Metric

No.	Range [mm]	Inside measuring from	Accuracy	Graduation
160-127	0 - 300	10,1 mm	±0,04 mm	0,02 mm
160-128	0 - 450	20,1 mm	±0,05 mm	0,02 mm
160-130	0 - 450	20,1 mm	±0,1 mm	0,05 mm
160-101	0 - 600	20,1 mm	±0,05 mm	0,02 mm
160-131	0 - 600	20,1 mm	±0,1 mm	0,05 mm
160-104	0 - 1000	20,1 mm	±0,07 mm	0,02 mm
160-132	0 - 1000	20,1 mm	±0,15 mm	0,05 mm

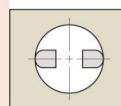
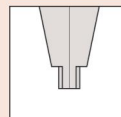
No.	Mass [g]	L [mm]	a [mm]	b [mm]	c [mm]	d [mm]	e [mm]	f [mm]	R [mm]
160-127	450	445	95	75	12	20	10	38	5
160-128	1200	630	125	100	18	25	14,8	6	10
160-130	1100	630	125	100	18	25	14,8	6	10
160-101	1400	780	125	100	18	25	14,8	6	10
160-131	1300	780	125	100	18	25	14,8	6	10
160-104	3500	1240	172	140	24	32	17	8	10
160-132	3300	1240	172	140	24	32	17	8	10



### Specifications

Delivered

In a box



Rounded outside measuring surfaces for measuring inside dimensions