

ABSOLUTE Digimatic Depth Gauges

Series 571

This is a standard model Digital Depth Gauge.

It offers you the following benefits:

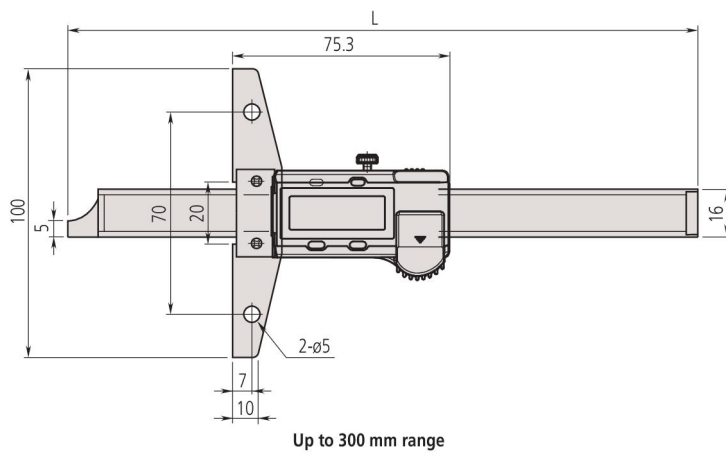
- ABSOLUTE System gives you reliable measurements.
- Its base and measuring faces are hardened and micro-lapped for robustness.
- Large character height makes measurements easy to read.
- Exceptional battery life.



571-201-30

Metric

No.	Range [mm]	Maximum Permissible Error E MPE	L [mm]	Base (W x T)	Mass [g]
571-201-30	0 - 150	±0,02 mm	239	100 x 6 mm	207
571-202-30	0 - 200	±0,02 mm	289	100 x 6 mm	227
571-203-30	0 - 300	±0,03 mm	403	100 x 6 mm	310
571-204-10	0 - 450	±0,05 mm	635	250 x 10 mm	1270
571-205-10	0 - 600	±0,05 mm	785	250 x 10 mm	1400
571-206-10	0 - 750	±0,06 mm	935	250 x 10 mm	1530
571-207-10	0 - 1000	±0,07 mm	1200	250 x 10 mm	1760



Functions	Series 571
ORIGIN (ABS-Zero)	●
ON/OFF	●
Low voltage alarm	●
Data output	●
ZERO/ABS	●

Specifications

Digital step	0,01 mm
Max. response speed	Unlimited
Battery life	Approx. 18000 hours (150, 200 mm) approx. 20000 hours (>200 mm)
Display	LCD, character height 9 mm (150/200/300 mm), 10 mm (>300 mm)
Delivered	In a box including 1 battery

Optional accessories

No.	Description
959149	Digimatic Cable, Straight, Data Button,, 1m
959150	Digimatic Cable, Straight, Data Button,, 2m
06AFM380C	USB Input Tool Direct (Digimatic USB), Digi/Digi2, Straight, with Data Button
264-620	U-WAVE fit, IP67 Type, Wireless Transmitter for Caliper
264-621	U-WAVE fit, Buzzer Type, Wireless Transmitter for Caliper
02AZF300	Connection Unit, U-WAVE fit, Standard Type
959143	Data Hold Unit
900370	Extension Base, Depth Gauge, 180mm width for up to 300mm Range
900371	Extension Base, Depth Gauge, 260mm width for up to 300mm Range
900372	Extension Base, Depth Gauge, 320mm width for up to 300mm Range

Consumable spares

No.	Description
938882	Battery SR44 1.5V

