

ABSOLUTE Digimatic Depth Gauges



Functions	Series 571
ORIGIN (ABS-Zero)	●
Auto Power OFF after 20 min. non use	●
Low voltage alarm	●
Data output	●

Specifications

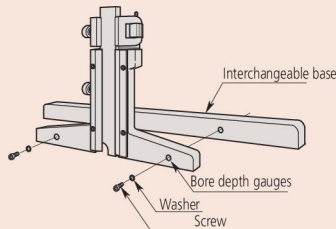
Digital step	0,01 mm
Max. response speed	Unlimited
Repeatability	0,01 mm
Battery life	approx. 5 years
Display	LCD, Character Height 9 mm (150, 200 mm) 11 mm (300 mm)
Delivered	In a box including 1 battery

Optional accessories

No.	Description
05CZA624	Digimatic Cable with Data Button IP Type, 1m, Caliper Type
05CZA625	Digimatic Cable with Data Button IP Type, 2m, Caliper Type
06AFM380A	USB Input Tool Direct (Digimatic USB), Digi/Digi2, With Data Button IP Caliper Type
264-620	U-WAVE fit, IP67 Type, Wireless Transmitter for Caliper
264-621	U-WAVE fit, Buzzer Type, Wireless Transmitter for Caliper
02AZF310	Connection Unit, U-WAVE fit, Waterproof Type
900370	Extension Base, Depth Gauge, 180mm width for up to 300mm Range
900371	Extension Base, Depth Gauge, 260mm width for up to 300mm Range
900372	Extension Base, Depth Gauge, 320mm width for up to 300mm Range

Consumable spares

No.	Description
938882	Battery SR44 1.5V



Mounting the interchangeable base

Series 571

This Digital Depth Gauge is IP67 coolant proof and offers you the following benefits:

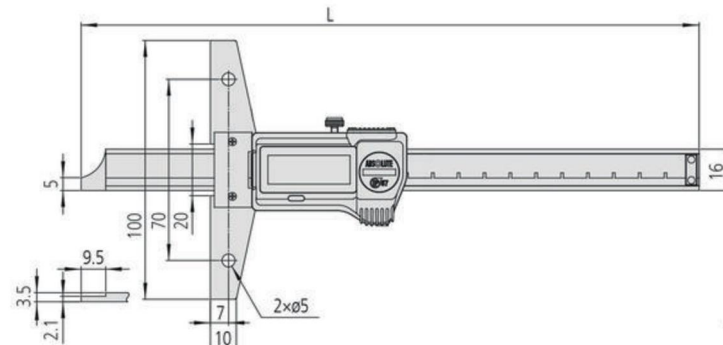
- ABSOLUTE System gives you reliable measurements.
- Its base and measuring faces are hardened and micro-lapped for robustness.
- It has excellent resistance against water and dust (IP67 protection level) enabling you to use it in machining situations that include splashing coolant fluid.
- Extremely resistant to both coolants and lubricants.



571-252-20

Metric

No.	Range [mm]	Maximum Permissible Error E MPE	L [mm]	Base (W x T)	Mass [g]
571-251-20	0 - 150	±0,02 mm	239	100 x 6 mm	199
571-252-20	0 - 200	±0,02 mm	289	100 x 6 mm	219
571-253-20	0 - 300	±0,03 mm	403	100 x 6,3 mm	315



Range: 0-150 mm, 0-200 mm