

# Vernier Depth Gauges

## Series 527

This vernier depth gauge offers you the following benefits:

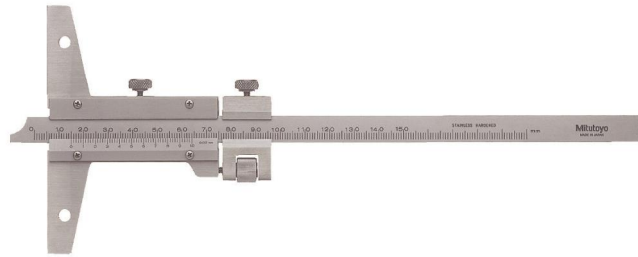
- Its base and measuring faces are hardened and micro-lapped for robustness.
- Fine adjustment models available

### Optional accessories

No.	Description
900370	Extension Base, Depth Gauge, 180mm width for up to 300mm Range
900371	Extension Base, Depth Gauge, 260mm width for up to 300mm Range
900372	Extension Base, Depth Gauge, 320mm width for up to 300mm Range



527-201 with 900372



527-101

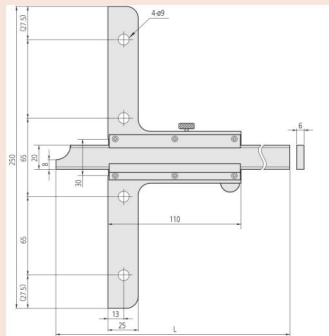
### Metric

No.	Range [mm]	Graduation	Maximum Permissible Error E MPE	Base (W x T)	L [mm]	Mass [g]
527-201	0 - 150	0,05 mm	±0,05 mm	100 x 6,5 mm	260	240
527-121	0 - 150	0,02 mm	±0,03 mm	100 x 6,5 mm	260	215
527-202	0 - 200	0,05 mm	±0,05 mm	100 x 6,5 mm	310	260
527-122	0 - 200	0,02 mm	±0,03 mm	100 x 6,5 mm	310	230
527-203	0 - 300	0,05 mm	±0,08 mm	100 x 6,5 mm	410	300
527-123	0 - 300	0,02 mm	±0,04 mm	100 x 6,5 mm	410	265
527-204	0 - 600	0,05 mm	±0,1 mm	250 x 10 mm	800	1510
527-205	0 - 1000	0,05 mm	±0,15 mm	250 x 10 mm	1200	1880

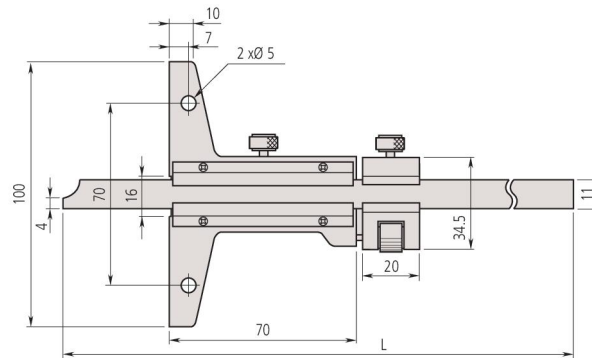
### Metric

With fine adjustment

No.	Range [mm]	Graduation	Maximum Permissible Error E MPE	Base (W x T)	L [mm]	Mass [g]
527-101	0 - 150	0,02 mm	±0,03 mm	100 x 6,5 mm	260	280
527-102	0 - 200	0,02 mm	±0,03 mm	100 x 6,5 mm	310	300
527-103	0 - 300	0,02 mm	±0,04 mm	100 x 6,5 mm	410	350
527-104	0 - 600	0,02 mm	±0,05 mm	250 x 10 mm	800	1510
527-105	0 - 1000	0,02 mm	±0,07 mm	250 x 10 mm	1200	1880



Range: 0-600 mm, 0-1000 mm



Range: 0-150 mm, 0-200 mm, 0-300 mm