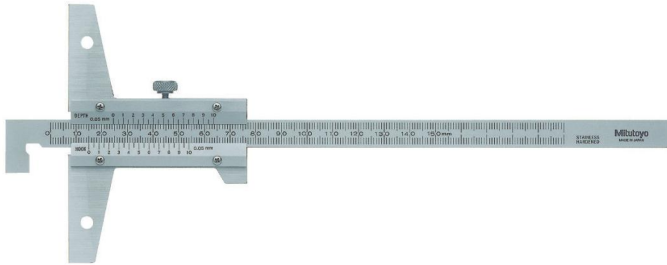


Vernier Depth Gauges Hook Type

Series 527

This hook type vernier depth gauge offers you the following benefits:

- The end of the beam is hook-shaped so you can take depth and thickness measurements of a projected portion or lip in a hole, as well as standard depth measurements.
- Fine adjustment models are available.



527-401

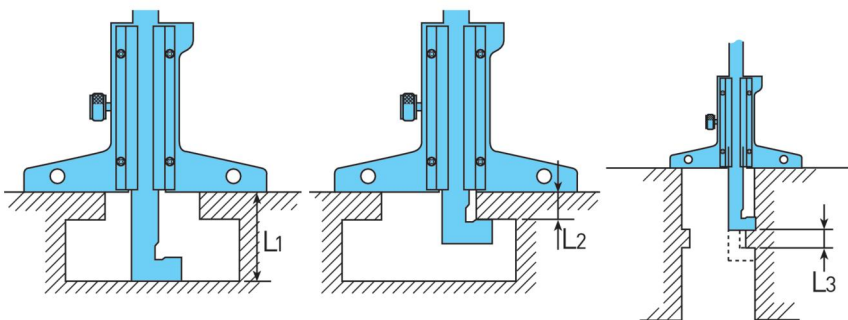
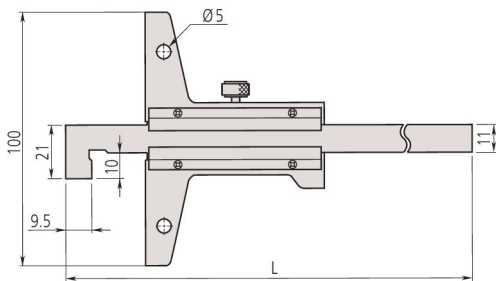
Metric

No.	Depth range	Hook range	Graduation	Maximum Permissible Error E MPE	L [mm]	Mass [g]
527-401	10,1-150 mm	0-150 mm	0,05 mm	±0,05 mm	260	240
527-402	10,1-200 mm	0-200 mm	0,05 mm	±0,05 mm	310	240
527-403	10,1-300 mm	0-300 mm	0,05 mm	±0,08 mm	410	270

Metric

With fine adjustment

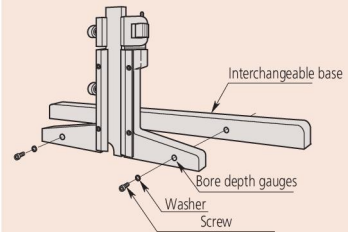
No.	Depth range	Hook range	Graduation	Maximum Permissible Error E MPE	L [mm]	Mass [g]
527-411	10,1-150 mm	0-150 mm	0,02 mm	±0,03 mm	260	280
527-412	10,1-200 mm	0-200 mm	0,02 mm	±0,03 mm	310	300
527-413	10,1-300 mm	0-300 mm	0,02 mm	±0,04 mm	410	350



L1 = depth-vernier reading / L2 = hook-vernier reading / L3 = (depth-vernier reading) - (hook-vernier reading)

Optional accessories

No.	Description
900370	Extension Base, Depth Gauge, 180mm width for up to 300mm Range
900371	Extension Base, Depth Gauge, 260mm width for up to 300mm Range
900372	Extension Base, Depth Gauge, 320mm width for up to 300mm Range



Mounting the interchangeable base