

Dial Height Gauges

Specifications

Graduation	0,01 mm
Delivered	Including scriber, scriber clamp and cover

Standard accessories

No.	Description
05GZA033	Scriber Clamp, for 9x9mm Scriber
07GZA000	Carbide Tipped Scriber, 9x9mm, 80mm Length

Optional accessories

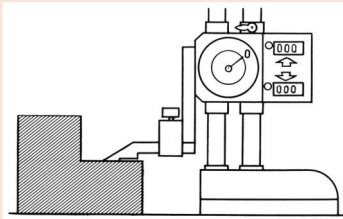
No.	Description
953638	Holding Bar for Swivel Clamp, 9x9mm, 50mm Length
900321	Swivel Clamp, for D=4/8mm, Dovetail



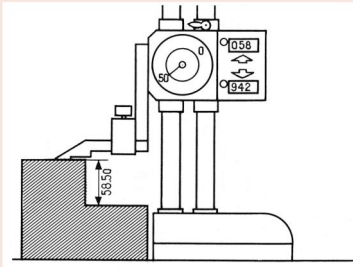
953638



900321



Reset



Reading off
Counter : 58,00 mm
Dial Gauge : 0,50 mm

Result : 58,50 mm

Series 192

This Dial Height Gauge offers you the following benefits:

- It allows you easy and error-free reading with both up and down digital counters as well as a dial.
- It comes with a hand wheel so you can easily make rough adjustments.
- A carbide-tipped scriber is provided.



192-130



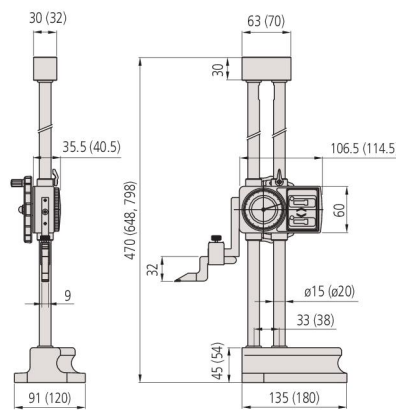
192-132



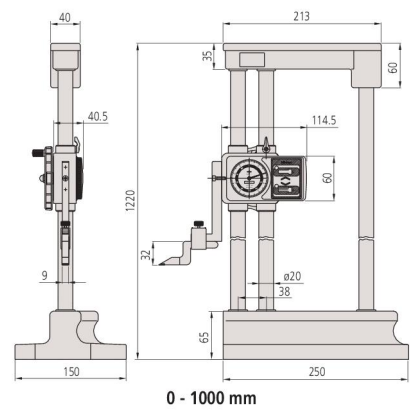
192-133

Metric

No.	Range [mm]	Maximum Permissible Error J MPE	Mass [kg]
192-130	0 - 300	±0,03 mm	4,2
192-131	0 - 450	±0,05 mm	9,2
192-132	0 - 600	±0,05 mm	9,8
192-133	0 - 1000	±0,07 mm	17



0 - 300 mm (0 - 450 mm, 0 - 600 mm)



0 - 1000 mm