

# ABSOLUTE Digimatic Height Gauges

## Series 570

This Digimatic height gauge is very precise and reliable, and offers you the following benefits:

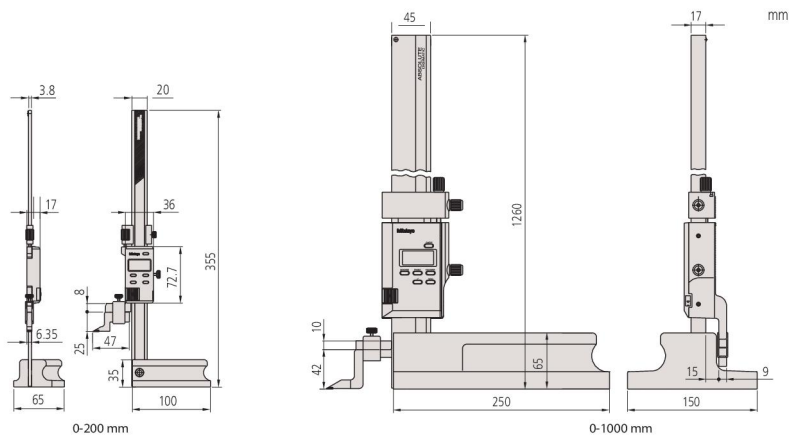
- Its built-in ABSOLUTE linear encoder means you don't have to set the reference point at every power-on, improving reliability as over-speed errors cannot occur.
- Fine-adjustment gives you precise positioning.
- It comes with large and smooth-acting slider hand wheel for coarse- and fine-adjustments (570-3xx only).
- A carbide-tipped scriber is provided.
- SPC data output.



570-227

### Metric

No.	Range [mm]	Maximum Permissible Error J MPE	Data output	Fine adjustment	Remarks	Mass [kg]
570-227	0 - 200	±0,03 mm	Yes	4 mm	2 x PRESET	1,3
570-230	0 - 1000	±0,07 mm	Yes	6 mm		16,8



## ABSOLUTE®

Functions	Series 570
ON/OFF	●
ZERO/ABS	●
ORIGIN (ABS-Zero)	●
PRESET	●
DATA (output with cable) / HOLD (display value)	●
Low voltage alarm	●
±SWITCHING	●

### Specifications

Scale	ABSOLUTE electrostatic linear encoder
Digital step	0,01 mm
Display	LCD
Max. response speed	Unlimited
Battery life	Approx. 5.000 hours
Delivered	Including 1 battery, scriber and scriber clamp

### Standard accessories

No.	Description
901338	Scriber Clamp, for 6,35x12,7mm Scriber
900173	Carbide Tipped Scriber, 6,35x12,7mm, 47mm Length
05GZA033	Scriber Clamp, for 9x9mm Scriber
905200	Carbide Tipped Scriber, 9x9mm, 150mm Length

901338, 900173: 570-227  
05GZA033, 905200: 570-230

### Optional accessories

No.	Description
905338	Digimatic Cable, Flat Straight Type, 1m
905409	Digimatic Cable, Flat Straight Type, 2m
06AFM380F	USB Input Tool Direct (Digimatic USB), Digi/Digi2, Flat Straight Type
02AZD880G	U-WAVE-T, Buzzer Type, Wireless Transmitter
02AZD730G	U-WAVE-T, IP67 Type, Wireless Transmitter
02AZD790F	U-WAVE-T Connection Cable F, Flat Straight Type
953639	Holding Bar for Swivel Clamp, 6,25x12,7mm, 2" Length
953638	Holding Bar for Swivel Clamp, 9x9mm, 50mm Length
900209	Holding Bar for Swivel Clamp, 9x9mm, 100mm Length
900321	Swivel Clamp, for D=4/8mm, Dovetail

953639: 570-227  
953638, 900209: 570-230

### Consumable spares

No.	Description
938882	Battery SR44 1.5V