

Digimatic Height Gauges Double Column Type

Series 192

This High Accuracy Height Gauge offers you the following benefits:

- Its double-column structure ensures high measuring accuracy.
- Carbide-tipped scriber provided
- Large character height of 11 mm provides good readability.

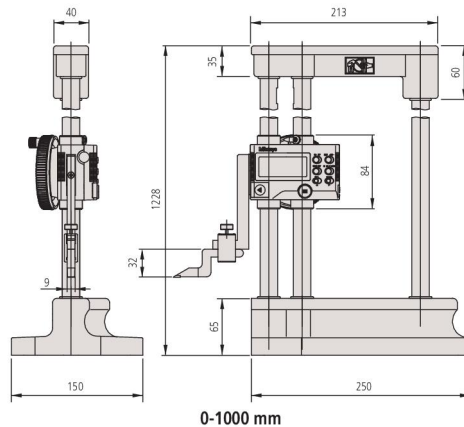
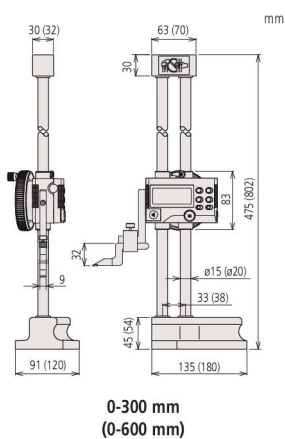


192-613-10



Metric

No.	Range [mm]	Maximum Permissible Error J MPE	Data output	Mass [kg]
192-613-10	0 - 300	±0,02 mm	Yes	4,7
192-614-10	0 - 600	±0,05 mm	Yes	8,3
192-615-10	0 - 1000	±0,07 mm	Yes	15,7



Functions	Series 192
ON/OFF	●
ZERO/ABS	●
PRESET (2 values)	●
DATA (output with cable) / HOLD (display value)	●
Low voltage alarm	●
±SWITCHING	●

Specifications

Digital step	0,01/0,005 mm
Display	LCD, character height: 11 mm
Max. response speed	500 mm/s
Battery life	Approx. 3.500 hours
Delivered	Including scriber, scriber holder, 1 battery and cover

Standard accessories

No.	Description
05GZA033	Scriber Clamp, for 9x9mm Scriber
07GZA000	Carbide Tipped Scriber, 9x9mm, 80mm Length
450291	Vinyl Cover Series 192, 300mm
450292	Vinyl Cover Series 192, 600mm
450290	Vinyl Cover Series 192, 1000mm

Optional accessories

No.	Description
905338	Digimatic Cable, Flat Straight Type, 1m
905409	Digimatic Cable, Flat Straight Type, 2m
06AFM380F	USB Input Tool Direct (Digimatic USB), Digi/Digi2, Flat Straight Type
02AZD880G	U-WAVE-T, Buzzer Type, Wireless Transmitter
02AZD730G	U-WAVE-T, IP67 Type, Wireless Transmitter
02AZD790F	U-WAVE-T Connection Cable F, Flat Straight Type
953638	Holding Bar for Swivel Clamp, 9x9mm, 50mm Length
900321	Swivel Clamp, for D=4/8mm, Dovetail

Consumable spares

No.	Description
938882	Battery SR44 1.5V



953638



900321

