

ABSOLUTE Digimatic Indicators ID-B

Series 543

This is a back-plunger model that is highly resilient and robust. The ABSOLUTE Digimatic Indicator ID-B offers you the following features:

- It is a back-plunger type, with the display viewed from above.
- Its slim body design is ideal for multi-point measurements.
- The ABSOLUTE sensor means you don't have to carry out origin setting every time you power it on, saving you time and hassle.
- It has excellent resistance against water and dust (IP66 protection level) allowing you to use it in machining situations that include splashing coolant fluid.
- Switchable display orientation gives you more mounting options.
- You can perform GO/±NG judgement.



543-580



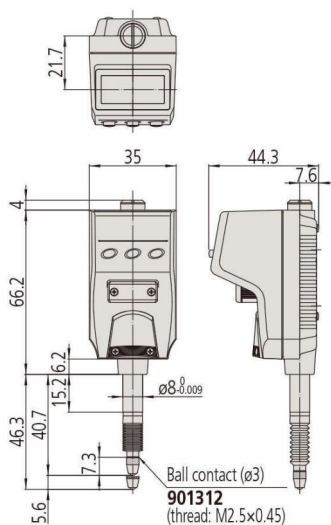
Flexible installation options with switchable display orientation (overhead use)



IP66

Metric

No.	Range	Digital step	Maximum Permissible Error E MPE	H MPE (Hysteresis)	R MPE (Repeatability)	Type	Measuring force [N]	Protection	Mass [g]
543-580	5 mm	0,01 mm	0,02 mm	0,02 mm	0,01 mm	EN ISO Standard	≤2 N	IP66	130
543-585	5 mm	0,01/0,001 mm	0,003 mm	0,002 mm	0,002 mm	EN ISO Standard	≤2 N	IP66	130



Functions	Series 543
DATA/HOLD	●
Data output	●
ON/OFF	●
External PRESET / ZERO	●
PRESET	●
GO/±NG judgement	●
Counting direction switchable	●

Specifications

Display	LCD, character height: 6,2 mm
Max. response speed	Unlimited
Alarm	Low voltage, counting value composition error, overflow error, tolerance limit setting error
Contact point	Carbide ball, thread M 2,5 x 0,45 mm
Battery life	Approx. 7.000 hours
Power supply	1 battery SR-44

Optional accessories

No.	Description
21EAA194	Digimatic Cable for ID-N/ ID-B 1m
21EAA190	Digimatic Cable for ID-N/ ID-B 2m
06AFM380G	USB Input Tool Direct (Digimatic USB), Digi/Digi2, Flat Straight IP Type
02AZD880G	U-WAVE-T, Buzzer Type, Wireless Transmitter
02AZD730G	U-WAVE-T, IP67 Type, Wireless Transmitter
02AZD790G	U-WAVE-T Connection Cable G, Flat Straight IP Type
21EAA210	Digimatic Cable for External Preset/ Zero, 1 m, ID-N/ID-B Indicator
21EAA211	Digimatic Cable for External Preset/ Zero, 2 m, ID-N/ID-B Indicator
21EAA212	Silicon Rubber Boot, for ID-B, Series 1/2
21EZA145	Back Plate with Center Lug ISO Type, for ID-N/ID-B Indicator

Consumable spares

No.	Description
938882	Battery SR44 1.5V
901312	Contact Element Ball Point, 7,3mm Length, Carbide, Metric
125317	NBR Rubber Boot, for ID-B, IP64 Series 2



21EAA194



21EAA210