

Metric Dial Indicators Series 2



IP64
20445(B)-60

Functions	Series 2
Balanced dial	●
Continuous dial	●
Shockproof	●
IP64	●

Optional accessories

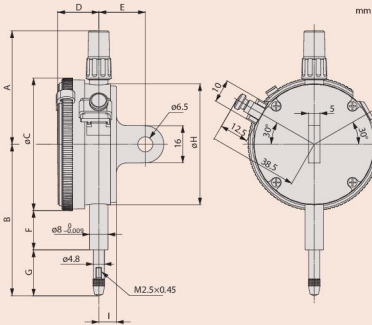
No.	Description
21AZB195	Limit Hands (green) 2pcs, Dial Indicator Series 2/3/4

Consumable spares

No.	Description
901312	Contact Element Ball Point, 7,3mm Length, Carbide, Metric
125317	NBR Rubber Boot, for ID-B, IP64 Series 2

125317 : for 2044A-60 (IP model)

For accessories and contact points, see end of dial indicators section



Series 2

Standard Type, 5 mm Range, 0,01 mm Graduation

This is a standard, metric dial indicator. It offers you the following benefits:

- Bezel clamp and lifting lever (optional) can be attached to either right or left side. They can be easily installed and removed without tools.
- No through screw holes on the frame and secure adhesion between the bezel and the crystal as well as the use of an O-ring prevents water or oil penetration.



Metric

No.	Range	Range per rev.	Graduation [mm]	Scale	MPE any 1/10 revolution [μm]	MPE any 1/2 revolution [μm]	MPE any 1 revolution [μm]	MPE measuring range [μm]	H MPE (Hysteresis) [μm]	R MPE (Repeatability) [μm]
2044A	5	1 mm	0,01	0-100 (100-0)	5	9	10	12	3	3
2044AB	5	1 mm	0,01	0-100 (100-0)	5	9	10	12	3	3
2044A-09	5	1 mm	0,01	0-100 (100-0)	5	9	10	12	3	3
2044AB-09	5	1 mm	0,01	0-100 (100-0)	5	9	10	12	3	3
2044A-60	5	1 mm	0,01	0-100 (100-0)	5	9	10	12	3	3
2044AB-60	5	1 mm	0,01	0-100 (100-0)	5	9	10	12	3	3
2045A	5	1 mm	0,01	0-50-0	5	9	10	12	3	3
2045AB	5	1 mm	0,01	0-50-0	5	9	10	12	3	3

No.	Measuring force	Mass [g]	A [mm]	B [mm]	C [mm]	D [mm]	E [mm]	F [mm]	G [mm]	I [mm]
2044A	0,4-1,4	145	47,2	65,2	57	18,1	20	16,9	19,8	7,6
2044AB	0,4-1,4	136	47,2	65,2	57	18,1	20	16,9	19,8	7,6
2044A-09	0,4-1,4	147	47,2	65,2	57	18,1	20	16,9	19,8	7,6
2044AB-09	0,4-1,4	138	47,2	65,2	57	18,1	20	16,9	19,8	7,6
2044A-60	0,4-2,5	147	47,2	70	57	18,1	20	12,3	29,2	7,6
2044AB-60	0,4-2,5	138	47,2	70	57	18,1	20	12,3	29,2	7,6
2045A	0,4-1,4	145	47,2	65,2	57	18,1	20	16,9	19,8	7,6
2045AB	0,4-1,4	136	47,2	65,2	57	18,1	20	16,9	19,8	7,6