

Metric Dial Indicators Series 2

Functions	Series 2
Balanced dial	●
Continuous dial	●
Shockproof	●
Jeweled bearing	●

Optional accessories

No.	Description
21AZB195	Limit Hands (green) 2pcs, Dial Indicator Series 2/3/4

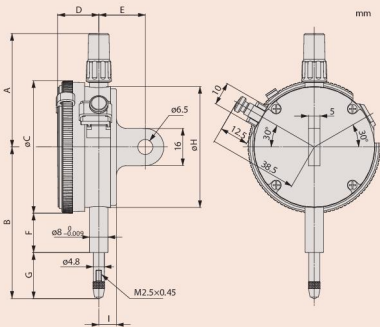
Consumable spares

No.	Description
901312	Contact Element Ball Point, 7,3mm Length, Carbide, Metric

For accessories and contact points, see end of dial indicators section.



2124A



Series 2

Standard Type, 2 / 5 mm Range, 0,001 / 0,005 mm Graduation

This is a standard, metric dial indicator. It offers you the following benefits:

- Bezel clamp and lifting lever (optional) can be attached to either right or left side. They can be easily installed and removed without tools.
- No through screw holes on the frame and secure adhesion between the bezel and the crystal as well as the use of an O-ring prevents water or oil penetration.



2113A-10



2118A-10



2119A-10

Metric

No.	Range	Range per rev.	Graduation [mm]	Scale
2113A-10	2	0,2 mm	0,001	0-100-0
2113AB-10	2	0,2 mm	0,001	0-100-0
2118A-10	5	0,2 mm	0,001	0-100-100
2118AB-10	5	0,2 mm	0,001	0-100-100
2119A-10	5	0,2 mm	0,001	0-100-0
2119AB-10	5	0,2 mm	0,001	0-100-0
2124A-10	5	0,5 mm	0,005	0-50 (50-0)
2124AB-10	5	0,5 mm	0,005	0-50 (50-0)

No.	MPE any 1/10 revolution [µm]	MPE any 1/2 revolution [µm]	MPE any 1 revolution [µm]	MPE measuring range [µm]	H MPE (Hysteresis) [µm]	R MPE (Repeatability) [µm]
2113A-10	2,5	4	4,5	7	2	1
2113AB-10	2,5	4	4,5	7	2	1
2118A-10	4	6	6,5	10	2,5	1,5
2118AB-10	4	6	6,5	10	2,5	1,5
2119A-10	4	6	6,5	10	2,5	1,5
2119AB-10	4	6	6,5	10	2,5	1,5
2124A-10	5	9	10	11	3	2
2124AB-10	5	9	10	11	3	2

No.	Measuring force	Mass [g]	A [mm]	B [mm]	C [mm]	D [mm]	E [mm]	F [mm]	G [mm]	I [mm]
2113A-10	0,4-1,5	148	47,2	61	57	18,1	20	16,9	15,6	7,6
2113AB-10	0,4-1,5	139	47,2	61	57	18,1	20	16,9	15,6	7,6
2118A-10	0,4-1,5	146	47,2	60,3	57	18,1	20	16,9	14,9	7,6
2118AB-10	0,4-1,5	137	47,2	60,3	57	18,1	20	16,9	14,9	7,6
2119A-10	0,4-1,5	146	47,2	60,3	57	18,1	20	16,9	14,9	7,6
2119AB-10	0,4-1,5	137	47,2	60,3	57	18,1	20	16,9	14,9	7,6
2124A-10	0,4-1,5	146	47,2	60,3	57	18,1	20	16,9	14,9	7,6
2124AB-10	0,4-1,5	137	47,2	60,3	57	18,1	20	16,9	14,9	7,6