

# Inch Dial Indicators Series 2

## Series 2

### Standard Type, Various Ranges, 0,0001" Graduation - Inch

This is a standard, inch dial indicator. It offers you the following benefits:

- Bezel clamp and lifting lever (optional) can be attached to either right or left side. They can be easily installed and removed without tools.
- No through screw holes on the frame and secure adhesion between the bezel and the crystal as well as the use of an O-ring prevents water or oil penetration.



28055-10



29235-10



29225

### Inch

No.	Range [Inch]	Range per rev.	Scale	Accuracy	Measuring force	Mass [g]	Type	A [mm]
2356A-10	0,25"	0,01"	0-10	±0,0002"	0,4-2	163	ANSI/AGD Standard	48,8
2803AB-10	0,025"	0,01"	0-5-0	±0,0001"	0,4-2	139	ANSI/AGD Standard	48,8

No.	B [mm]	C [mm]	D [mm]	E [mm]	F [mm]	G [mm]	I [mm]
2356A-10	57,2	57	17,7	19	13,6	15,1	7,6
2803AB-10	51,4	57	17,7	19	13,6	9,3	7,6

# Dial Indicators with 20 mm Stroke Series 2

## Series 2

This is a standard, metric dial indicator. It offers you the following benefits:

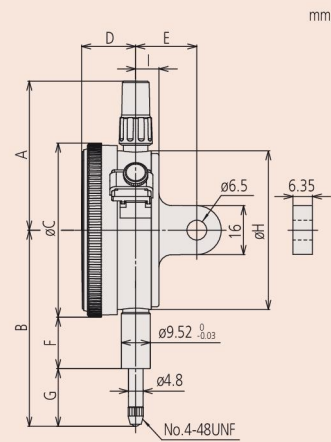
- Bezel clamp and lifting lever (optional) can be attached to either right or left side. They can be easily installed and removed without tools.
- No through screw holes on the frame and secure adhesion between the bezel and the crystal as well as the use of an O-ring prevents water or oil penetration.



### Consumable spares

No.	Description
21BZB005	Contact Element Ball Point, 1/4" Length, Carbide, Inch

For accessories and contact points, see end of dial indicators section.



Functions	Series 2
<input type="checkbox"/> Continuous dial	<input checked="" type="checkbox"/>
<input type="checkbox"/> Coaxial revolution counter	<input checked="" type="checkbox"/>
<input type="checkbox"/> Cushioned end point	<input checked="" type="checkbox"/>
<input type="checkbox"/> Shockproof	<input checked="" type="checkbox"/>
<input type="checkbox"/> Jeweled bearing	<input checked="" type="checkbox"/>
<input type="checkbox"/> IP64	<input checked="" type="checkbox"/>

### Optional accessories

No.	Description
21AZB195	Limit Hands (green) 2pcs, Dial Indicator Series 2/3/4

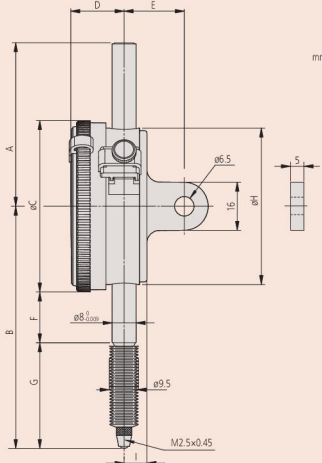
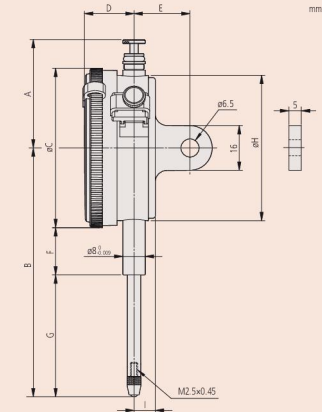
### Consumable spares

No.	Description
901312	Contact Element Ball Point, 7,3mm Length, Carbide, Metric
136071	NBR Rubber Boot, IP64 Series 2

136071 : for 2050A-60 (IP model)

For accessories and contact points, see end of dial indicators section.

## Dial Indicators with 20 mm Stroke Series 2



2050AB-60



2050A



2320A-10

### Metric

No.	Range	Range per rev.	Graduation [mm]	Scale	MPE any 1/10 revolution [μm]	MPE any 1/2 revolution [μm]	MPE any 1 revolution [μm]	MPE measuring range [μm]	H MPE (Hysteresis) [μm]	R MPE (Repeatability) [μm]
2050A	20	1 mm	0,01	0-100 (100-0)	6	10	11	20	4	3
2050AB	20	1 mm	0,01	0-100 (100-0)	6	10	11	20	4	3
2050A-60	20	1 mm	0,01	0-100 (100-0)	6	10	11	20	4	3
2050AB-60	20	1 mm	0,01	0-100 (100-0)	6	10	11	20	4	3
2050A-19	20	1 mm	0,01	0-100 (100-0)	6	10	11	20	4	3
2050AB-19	20	1 mm	0,01	0-100 (100-0)	6	10	11	20	4	3
2320A-10	20	1 mm	0,01	0-100 (100-0)	6	10	11	20	4	3
2320AB-10	20	1 mm	0,01	0-100 (100-0)	6	10	11	20	4	3

No.	Measuring force	Mass [g]	A [mm]	B [mm]	C [mm]	D [mm]	E [mm]	F [mm]	G [mm]	I [mm]
2050A	0,4-2	149	38,8	75,2	57	18,1	20	16,9	29,8	7,6
2050AB	0,4-2	140	38,8	75,2	57	18,1	20	16,9	29,8	7,6
2050A-60	0,4-2,5	155	58,2	71,9	57	18,1	20	12,3	31,1	7,6
2050AB-60	0,4-2,5	146	58,2	71,9	57	18,1	20	12,3	31,1	7,6
2050A-19	0,4-2	149	38,8	75,2	57	18,1	20	16,9	29,8	7,6
2050AB-19	0,4-2	140	38,8	75,2	57	18,1	20	16,9	29,8	7,6
2320A-10	0,4-2	150	38,8	75,2	57	18,1	20	16,9	29,8	7,6
2320AB-10	0,4-2	141	38,8	75,2	57	18,1	20	16,9	29,8	7,6