

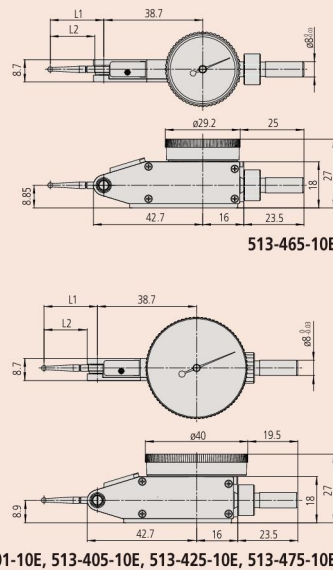
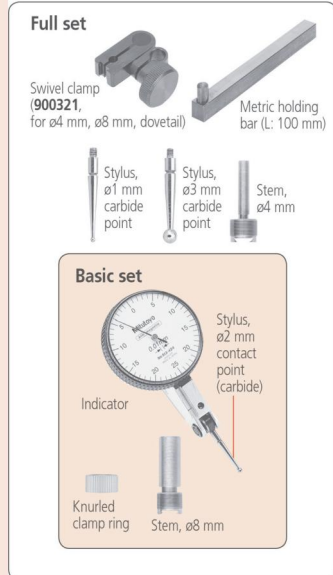
# Lever Indicators - Horizontal Type - 0,001/0,002 mm

<b>Functions</b>	<b>Series 513</b>
Compact type	

## Optional accessories

No.	Description
21AAB363	Limit Hands (Green) 2 pcs., Dial Indicator Series 1, Test Indicator

## Set Configuration: Metric

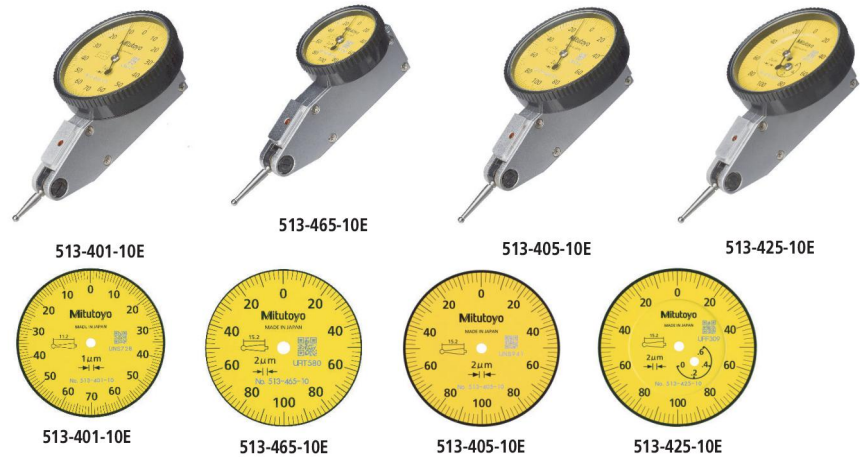


513-401-10E, 513-405-10E, 513-425-10E, 513-475-10E

## Series 513

This is a Dial Test Indicator (Lever Type) which offers you the following benefits:

- Drastically enhanced durability, sensitivity and visibility.
- Glare-free flat crystal face allows easy reading of graduations.
- O-ring seal on the bezel has the effect of providing smooth rotation and prevents dust and oil from penetrating through to the dial face.
- The stylus length is on the dial face to reorder a replacement
- Multi-layer coatings on the crystal.



## Metric Basic set

No.	Range [mm]	Graduation [mm]	Scale	MPE any 1/2 revolution [μm]	MPE any 1 revolution [μm]	H MPE (Hysteresis) [μm]	R MPE (Repeatability) [μm]	R MPE (Repeatability) [μm]
513-401-10E	0,14	0,001	0-70-0	3		2	1	1
513-471-10E	0,14	0,001	0-70-0	3		2	1	1
513-405-10E	0,2	0,002	0-100-0	3		2	1	1
513-465-10E	0,2	0,002	0-100-0	3		2	1	1
513-425-10E	0,6	0,002	0-100-0	3	5	4	1	1

No.	Carbide stylus tip ø2 mm No.	Measuring force [N]	Mass [g]	L1 [mm]	L2 [mm]	D Ø [mm]
513-401-10E	103010	0,01 - 0,3	45	14,7	11,2	40
513-471-10E	103011	0,01 - 0,3	45	14,7	11,2	40
513-405-10E	103011	0,01 - 0,3	45	18,7	15,2	40
513-465-10E	103011	0,01 - 0,3	41	18,7	15,2	29,2
513-425-10E	103011	0,01 - 0,4	45	18,7	15,2	40

## Metric Basic set - Ruby contact point

No.	Range [mm]	Graduation [mm]	Scale	MPE any 1/2 revolution [μm]	H MPE (Hysteresis) [μm]	R MPE (Repeatability) [μm]	R MPE (Repeatability) [μm]	Ruby stylus tip ø2 mm No.
513-475-10E	0,2	0,002	0-100-0	3	2	1	1	21CZB68

No.	Measuring force [N]	Mass [g]	L1 [mm]	L2 [mm]	D Ø [mm]
513-475-10E	0,01 - 0,3	45	18,7	15,2	40

## Metric Full set

No.	Range [mm]	Graduation [mm]	Scale	MPE any 1/2 revolution [μm]	H MPE (Hysteresis) [μm]	R MPE (Repeatability) [μm]	R MPE (Repeatability) [μm]	Carbide stylus tip ø2 mm No.
513-405-10T	0,2	0,002	0-100-0	3	2	1	1	103011

No.	Measuring force [N]	Mass [g]	L1 [mm]	L2 [mm]	D Ø [mm]
513-405-10T	0,01 - 0,3	45	18,7	15,2	40