

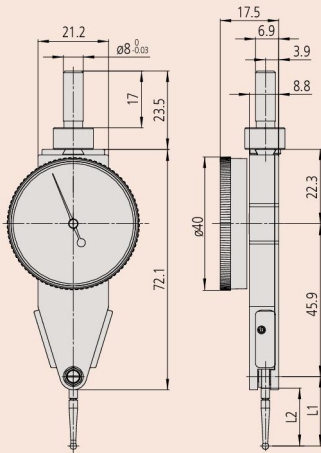
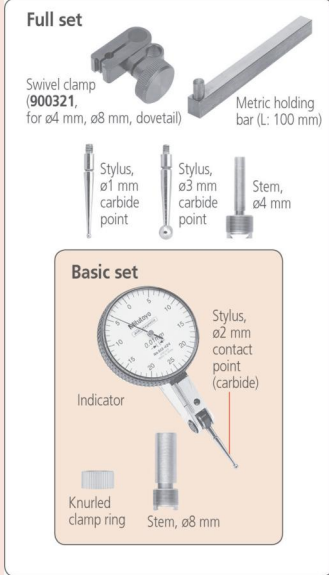
# Lever Indicators Parallel Type

<b>Functions</b>	<b>Series 513</b>
Contact point	

## Optional accessories

No.	Description
21AAB363	Limit Hands (Green) 2 pcs., Dial Indicator Series 1, Test Indicator

### Set Configuration: Metric



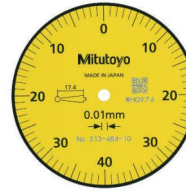
## Series 513

This is a Dial Test Indicator (Lever Type) which offers you the following benefits:

- Drastically enhanced durability, sensitivity and visibility.
- Glare-free flat crystal face allows easy reading of graduations.
- O-ring seal on the bezel has the effect of providing smooth rotation and prevents dust and oil from penetrating through to the dial face.
- The stylus length is on the dial face to reorder a replacement
- Multi-layer coatings on the crystal.



513-484-10E



513-484-10E

### Metric Basic set

No.	Range [mm]	Graduation [mm]	Scale	MPE any 10 scale divisions	MPE any 1/2 revolution [μm]	MPE measuring range [μm]	H MPE (Hysteresis) [μm]	R MPE (Repeatability) [μm]
513-484-10E	0,8	0,01	0-40-0	5	6	8	3	3
513-485-10E	0,2	0,002	0-100-0	2	3	3	2	1
513-486-10E	0,5	0,01	0-25-0	3		5	3	3

No.	Carbide stylus tip ø2 mm No.	Measuring force [N]	Mass [g]	D Ø [mm]	L1 [mm]	L2 [mm]
513-484-10E	103006	0,01-0,3	53	40	20,9	17,4
513-485-10E	103011	0,01-0,3	53	40	18,7	15,2
513-486-10E	137557	0,01-0,3	53	40	22,2	18,7

### Metric Full set

No.	Range [mm]	Graduation [mm]	Scale	MPE any 10 scale divisions	MPE any 1/2 revolution [μm]	MPE measuring range [μm]	H MPE (Hysteresis) [μm]	R MPE (Repeatability) [μm]
513-484-10T	0,8	0,01	0-40-0	5	6	8	3	3

No.	Carbide stylus tip ø2 mm No.	Measuring force [N]	Mass [g]	D Ø [mm]	L1 [mm]	L2 [mm]
513-484-10T	103006	0,01-0,3	53	40	20,9	17,4