

Gauge Stands with Hardened Steel Anvils

Series 7

This gauge stand with hardened steel anvil offers you the following benefits:

- Standard version with round anvil



7001-10

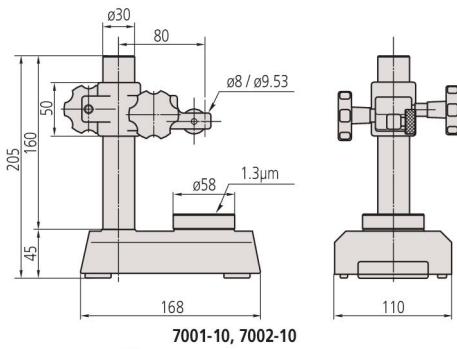


7002-10

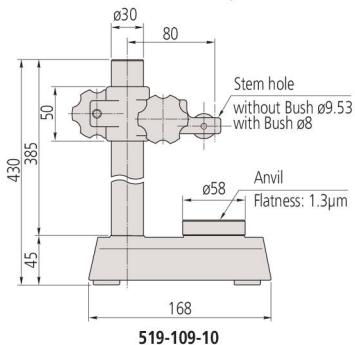


519-109-10

No.	Effective table dimensions [mm]	Column Ø [mm]	Max. measurement height [mm]	Measuring table	Stem hole ø	Mass [kg]
7001-10	Ø 58	30	95	Serrated (101462)	ø 3/8" / 9,53 mm, 8 mm with bush (standard accessory)	4
7002-10	Ø 58	30	95	Flat (101461)	ø 3/8" / 9,53 mm, 8 mm with bush (standard accessory)	4
519-109-10	Ø 58	30	318	Serrated (101462)	ø 3/8" / 9,53 mm, 8 mm with bush (standard accessory)	6



7001-10, 7002-10



519-109-10

Specifications

Fine adjustment	1 m
Perpendicularity table-stem hole	0,4/100 mm/mm
Table flatness	1,3

Standard accessories

No.	Description
101461	Flat Anvil for Gauge Stand, Ø58mm
101462	Serrated Anvil for Gauge Stand, Ø58mm
21JAA316	Stem Bush for Gauge Stand, 9,53mm to 8mm

Optional accessories

No.	Description
101463	Convex Anvil for Gauge Stand, Ø58mm

