

Gauge Stands with Hardened Steel Anvils

Series 913

Standard version

- Simple standard version.



913-101



913-102

No.	Effective table dimensions [mm]	Column Ø [mm]	Max. measurement height [mm]	Stem hole ø
913-101	ø 50	22	100	8 mm
913-102	60 x 70	22	100	8 mm

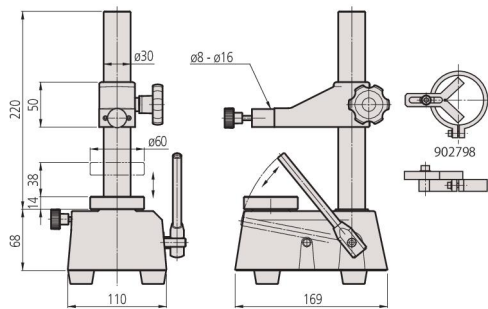
Stands for Precision Bore Gauges

Series 215

- For efficient measurement of multiple small holes with a bore gauge Series 526

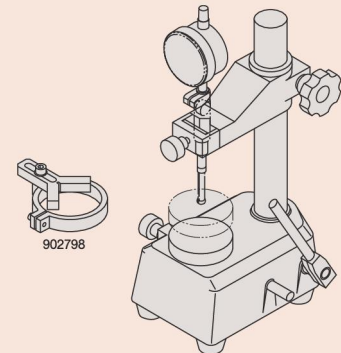


215-120-10



Optional accessories

No.	Description
902798	V-Attachment for 215-120-10, Stand for Bore Gauge



No.	Maximum measuring height [mm]	Measuring stroke [mm]	Effective table dimensions [mm]	Mass [kg]
215-120-10	110	max.38	D=60 mm, flat	6,5