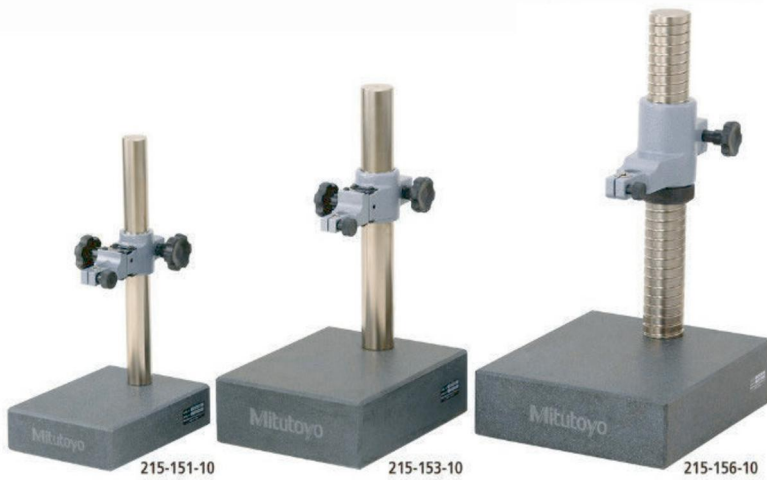


Gauge Stands with Granite Bases

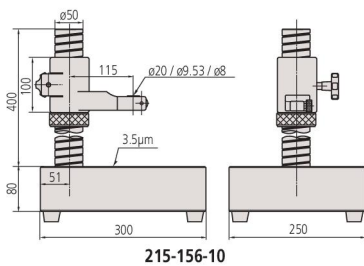
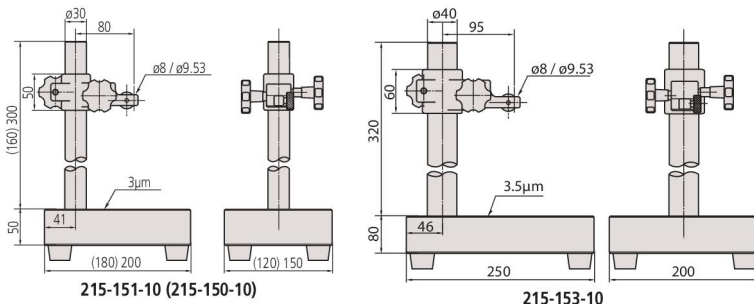
Series 215

This gauge stand with granite base offers you the following benefits:

- The base is made of granite that stays free of burrs due to its fine grain composition and the base will stay free of corrosion



No.	Column Ø [mm]	Max. measurement height [mm]	Fine adjustment [mm]	Stem hole ø	Table flatness	Perpendicularity table-stem hole [mm/mm]	Mass [kg]
215-150-10	30	120	1	ø 3/8" / 9,53 mm, 8 mm with bush (standard accessory)	3	0,2/100	5,4
215-151-10	30	260	1	ø 3/8" / 9,53 mm, 8 mm with bush (standard accessory)	3	0,2/100	7,5
215-153-10	40	250	1	ø 3/8" / 9,53 mm, 8 mm with bush (standard accessory)	3,5	0,2/100	16
215-156-10	50	300	ø 20 mm, ø 3/8" / 9,53 mm 8 mm with bush (standard accessory)	3,5	0,2/100	27,5	



Standard accessories

No.	Description
21JAA316	Stem Bush for Gauge Stand, 9,53mm to 8mm
21JAA329	Stem Bush for Gauge Stand, 20mm to 8mm
21JAA330	Stem Bush for Gauge Stand, 20mm to 9,53mm

21JAA316 for 215-150-10, 215-151-10, 215-153-10
21JAA329 and 21JAA330 for 215-156-10

Optional accessories

No.	Description
21JAA331	Stem Bush for Gauge Stand, 20mm to 15mm

only for 215-156-10