

Jointed Magnetic Stands

Series 011

- With mechanical locking system and fine adjustment
- Allows a dial indicator to be fixed in any position.



011533



011358

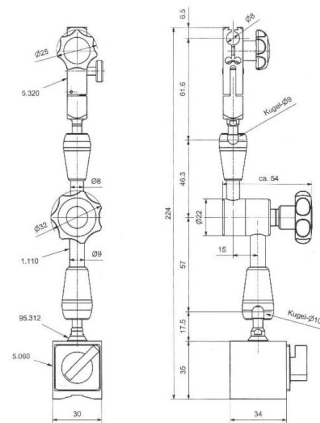


011359

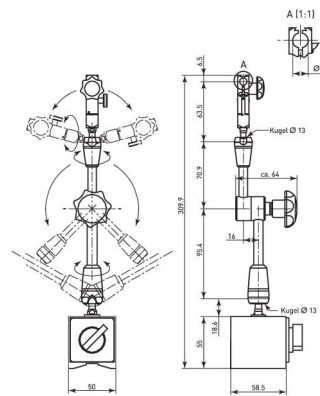


011360

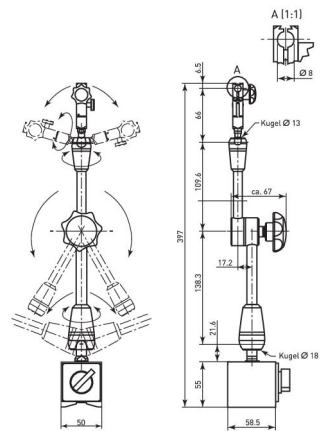
No.	Clamping device	Magnetic force (vertical) [N]	Base size (LxWxH) [mm]	Total height [mm]	Stem hole ϕ	Working radius [mm]	Thread Arm/Base	Mass [kg]
011533	magnetic	300	34 x 30 x 35	220	8 mm	130	M6 x 1	0,45
011358	magnetic	750	60 x 50 x 55	310	8 mm	200	M8 x 1,25	1,55
011359	magnetic	750	60 x 50 x 55	397	8 mm	280	M8 x 1,25	1,85
011360	magnetic	900	75 x 50 x 55	517	8 mm	400	M8 x 1,25	2,1



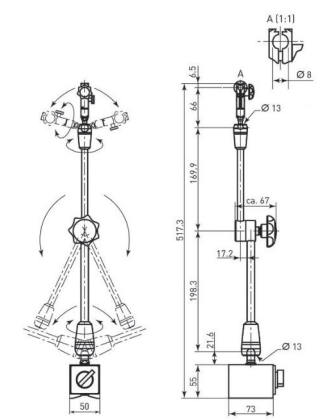
011533



011358



011359



011360

All products to be sold to commercial customers. Product illustrations are without obligation. Product descriptions, in particular any and all technical specifications, are only binding when explicitly agreed upon. For suggested retail prices, please refer to the separate price list.