

# LITEMATIC VL-50

## Motorized low force, high precision gauges

### Functions

ZERO/ABS	●
Data output	●
PRESET	●
Key lock	●
Mm / inch switching	●
Tolerance input (3 or 5 levels)	●
Motorized plunger movement	●
Mode : max-min (TIR) reading	●
Counting direction switchable	●

### Specifications

Measuring range (inside)	0-50 mm
Data output	Digimatic RS-232C INTERFACE I/O

### Optional accessories

No.	Description
02ADB440	Data Plug I/O Interface, for Litematic
936937	Digimatic Cable, Flat 10-Pin Type, 1m
965014	Digimatic Cable, Flat 10-Pin Type, 2m
12AAA807D	Cable RS-232C 2m Null Modem Type, Crossed Type
06AFM380D	USB Input Tool Direct (Digimatic USB), Flat 10-Pin Type
02AZD790D	U-WAVE-T Connection Cable D, Flat 10-Pin Type

### Consumable spares

No.	Description
901312	Contact Element Ball Point, 7,3mm Length, Carbide, Metric



Refer to the LITEMATIC documentation for more details

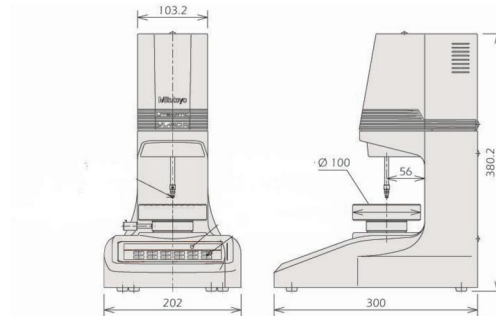
This is a high-accuracy motorised measuring machine with safe and easy operation.

The LITEMATIC VL-50 offers you the following benefits:

- It has a measuring force of **0,01 N** (1 gf) and a resolution of 0,01  $\mu\text{m}$ .
- Its constant and low measuring force makes it especially suitable for measuring soft materials such as rubber, plastic, film thicknesses or sensitive form parts.
- The motor driven plunger gives you a range of approach and retraction speeds for safe and easy operation.



318-22xD



318-22xD

No.	Accuracy	Measuring force	Type
318-221D	$(0,5 + L/100) \mu\text{m}$ L = Measurement height	0,01 N (1 gf)	VL-50 B
318-222D	$(0,5 + L/100) \mu\text{m}$ L = Measurement height	0,15 N (15 gf)	VL-50-15-B
318-223D	$(0,5 + L/100) \mu\text{m}$ L = Measurement height	1 N (102 gf)	VL-50-100-B