

Horizontal ABSOLUTE Scale Standard



This unit has an ABSOLUTE capacitive-type scale.

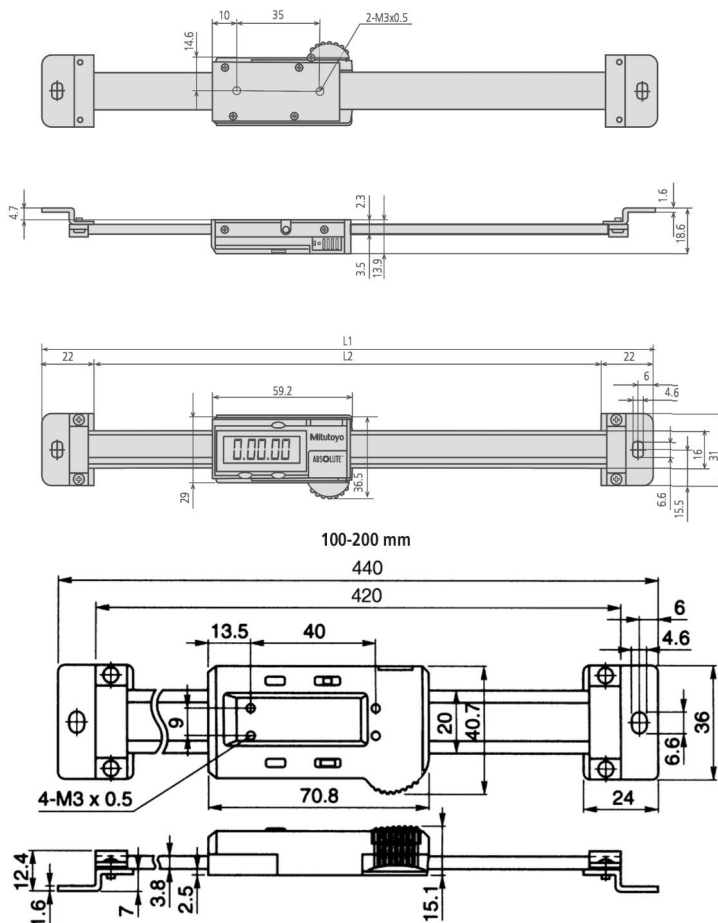
- The ZERO point is set only once and is stored as the absolute ZERO point until the next battery replacement.
- You can make the highest precision measurements even at the highest drive speed.
- The display has large characters, making it easy to read.



572-202-30

Metric

| No. | Range [mm] | Accuracy | L1 [mm] | L2 [mm] | Mass [g] |
|------------|------------|----------|---------|---------|----------|
| 572-200-30 | 0 - 100 | 0,03 mm | 209 | 185 | 230 |
| 572-201-30 | 0 - 150 | 0,03 mm | 259 | 235 | 250 |
| 572-202-30 | 0 - 200 | 0,03 mm | 311 | 287 | 270 |
| 572-203-10 | 0 - 300 | 0,04 mm | 444 | 420 | 370 |



| Functions | |
|-------------------|---|
| ON/OFF | ● |
| Low voltage alarm | ● |
| Data output | ● |
| ZERO SET | ● |
| ORIGIN | ● |

Specifications

| | |
|---------------------|-----------|
| Digital step | 0,01 mm |
| Max. response speed | Unlimited |

Optional accessories

| No. | Description |
|-----------|---|
| 905338 | Digimatic Cable, Flat Straight Type, 1m |
| 905409 | Digimatic Cable, Flat Straight Type, 2m |
| 905689 | Digimatic Cable, Flat L-Shape Type, 1m |
| 905690 | Digimatic Cable, Flat L-Shape Type, 2m |
| 905691 | Digimatic Cable, Flat L-Shape Right Type, 1m |
| 905692 | Digimatic Cable, Flat L-Shape Right Type, 2m |
| 905693 | Digimatic Cable, Flat L-Shape Left Type, 1m |
| 905694 | Digimatic Cable, Flat L-Shape Left Type, 2m |
| 959143 | Data Hold Unit |
| 959149 | Digimatic Cable, Straight, Data Button,, 1m |
| 959150 | Digimatic Cable, Straight, Data Button,, 2m |
| 02AZD790C | U-WAVE-T Connection Cable C, Straight, with Data Button |
| 06AFM380C | USB Input Tool Direct (Digimatic USB), Digi/Digi2, Straight, with Data Button |

Consumable spares

| No. | Description |
|--------|-------------------|
| 938882 | Battery SR44 1.5V |