

Vertical ABSOLUTE Scale Standard

ABSOLUTE®

Functions	
ON/OFF	●
Low voltage alarm	●
Data output	●
ZERO SET	●
ORIGIN	●

Specifications

Digital step	0,01 mm
Max. response speed	Unlimited

Optional accessories

No.	Description
959143	Data Hold Unit
905338	Digimatic Cable, Flat Straight Type, 1m
905409	Digimatic Cable, Flat Straight Type, 2m
959149	Digimatic Cable, Straight, Data Button,, 1m
959150	Digimatic Cable, Straight, Data Button,, 2m
905689	Digimatic Cable, Flat L-Shape Type, 1m
905690	Digimatic Cable, Flat L-Shape Type, 2m
905691	Digimatic Cable, Flat L-Shape Right Type, 1m
905692	Digimatic Cable, Flat L-Shape Right Type, 2m
905693	Digimatic Cable, Flat L-Shape Left Type, 1m
905694	Digimatic Cable, Flat L-Shape Left Type, 2m
06AFM380C	USB Input Tool Direct (Digimatic USB), Digi/Digi2, Straight, with Data Button
02AZD790C	U-WAVE-T Connection Cable C, Straight, with Data Button

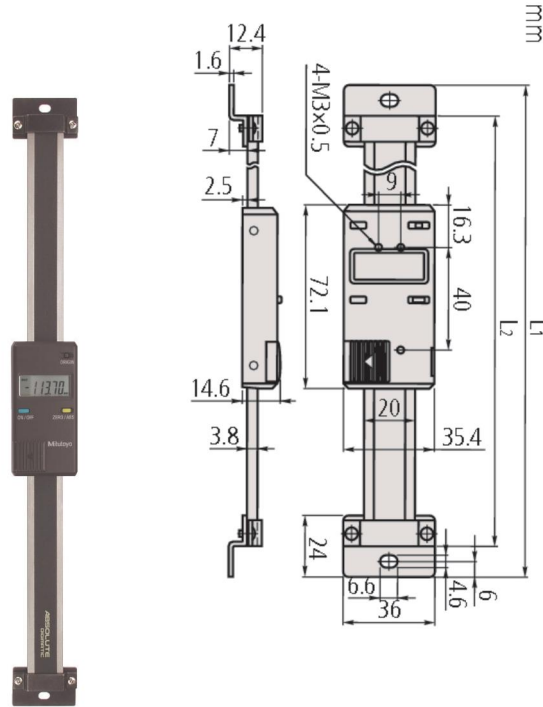
Consumable spares

No.	Description
938882	Battery SR44 1.5V

This unit has an ABSOLUTE capacitive-type scale.

It offers you the following benefits:

- The ZERO point is set only once and is stored as the absolute ZERO point until the next battery replacement.
- You can make the highest precision measurements even at the highest drive speed.
- The display has large characters, making it easy to read.



572-302-10

Metric

No.	Range [mm]	Accuracy	L1 [mm]	L2 [mm]	Mass [g]
572-300-10	0 - 100	0,03 mm	244	220	250
572-301-10	0 - 150	0,03 mm	294	270	280
572-302-10	0 - 200	0,03 mm	344	320	310
572-303-10	0 - 300	0,04 mm	444	420	370