

# Digimatic Point Micrometers

## Series 342

This Digimatic Point Micrometer features a pointed anvil and spindle, and offers the following benefits:

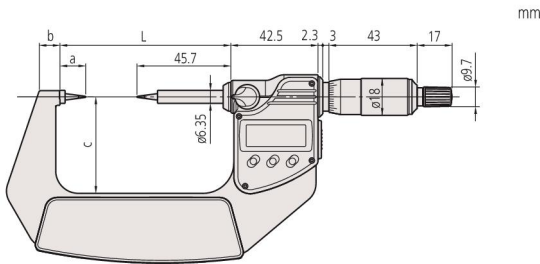
- Its pointed anvil and spindle has a choice of included angle, ending in small-radius contact points.
- You can use it to measure grooves, steps and similar.



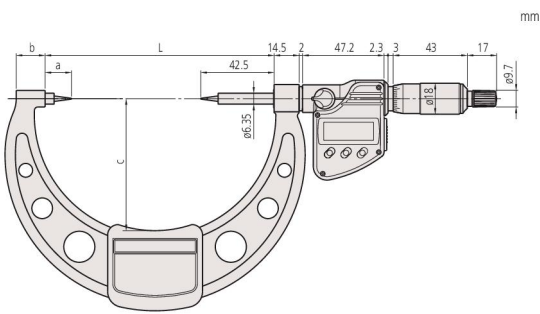
342-251-30

### Metric

No.	Range [mm]	Digital step	Maximum Permissible Error J MPE	Anvil / Spindle	Measuring force [N]	Mass [g]	L [mm]	a [mm]	c [mm]
342-251-30	0 - 25	0,001 mm	±2 μm	15°	3-8	330	58,2	12,5	32
342-261-30	0 - 25	0,001 mm	±2 μm	30°	3-8	330	58,2	12,5	32
342-252-30	25 - 50	0,001 mm	±2 μm	15°	3-8	470	83,2	12,5	47
342-262-30	25 - 50	0,001 mm	±2 μm	30°	3-8	470	83,2	12,5	47
342-253-30	50 - 75	0,001 mm	±2 μm	15°	3-8	625	108,2	12,5	60
342-263-30	50 - 75	0,001 mm	±2 μm	30°	3-8	625	108,2	12,5	60
342-254-30	75 - 100	0,001 mm	±3 μm	15°	3-8	565	132,8	15,3	76
342-264-30	75 - 100	0,001 mm	±3 μm	30°	3-8	565	132,8	15,3	76



0-75 mm



75-100 mm

Functions	Series 342
ORIGIN	●
ZERO/ABS	●
Auto Power OFF after 20 min. non use	●
Low voltage alarm	●
Function lock	●

### Specifications

Display	LCD, character height 7,5 mm
Measuring face	Carbide-tipped and conical spindle and anvil, measuring point radius 0,3 mm
Measuring spindle	With spindle lock, ø 6,35 mm, spindle pitch 0,5 mm
Scale	Thimble and sleeve satin chrome finish
Power supply	1 battery SR-44
Battery life	Approx. 2,4 years
Delivered	Including box, key, 1 battery, setting standard (from 25 mm upward)

### Optional accessories

No.	Description
05CZA662	Digimatic Cable with Data Button IP Type, 1m, Micrometer Type
05CZA663	Digimatic Cable with Data Button IP Type, 2m, Micrometer Type
06AFM380B	USB Input Tool Direct (Digimatic USB), Digi/Digi2, With Data Button IP Micrometer Type
264-622	U-WAVE fit, IP67 Type, Wireless Transmitter for Micrometer
264-623	U-WAVE fit, Buzzer Type, Wireless Transmitter for Micrometer
02AZF310	Connection Unit, U-WAVE fit, Waterproof Type

### Consumable spares

No.	Description
938882	Battery SR44 1.5V

