



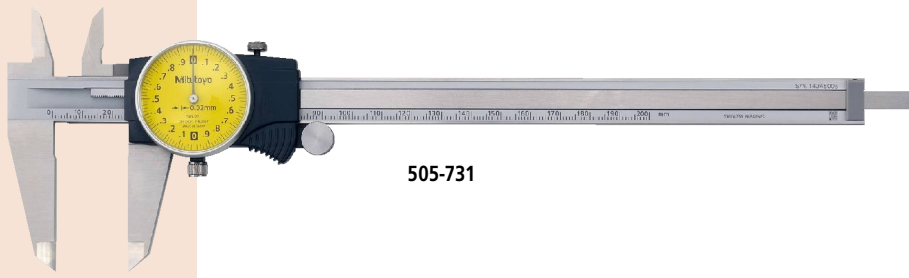
An inspection certificate is supplied as standard.
Refer to page X for details.

Dial Caliper Series 505

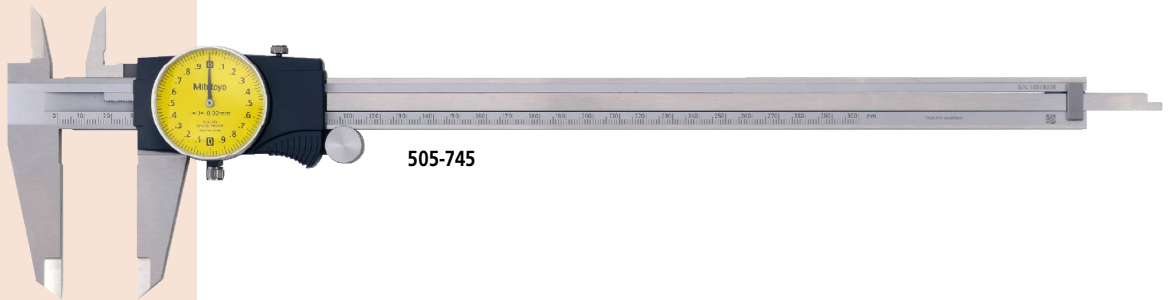
- Newly designed dial movement for ultra-smooth sliding and high shock protection.
- Easy-to-read yellow dial.
- Large finger-rest aids ease-of-use.
- Jaw tips are relieved for easy measurement of thin parts.
- Allows step measurement.



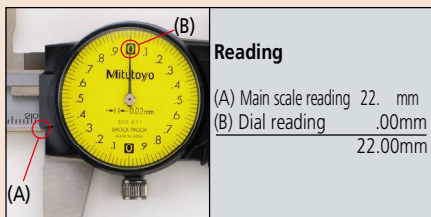
505-730



505-731



505-745



Reading
(A) Main scale reading 22. mm
(B) Dial reading .00mm
22.00mm

SPECIFICATIONS

Metric				
Order No.	Range	Accuracy	Graduation	Remarks
505-730	0 - 150mm	±0.03mm	0.02mm, 2mm/rev	Carbide-tipped jaws for outside measurement
505-734				
505-735				Carbide-tipped jaws for outside and inside measurement
505-732*	0 - 200mm	±0.02mm	0.01mm, 1mm/rev	—
505-731				
505-733*				
505-745	0 - 300mm	±0.04mm	0.02mm, 2mm/rev	—

* Silver cover type

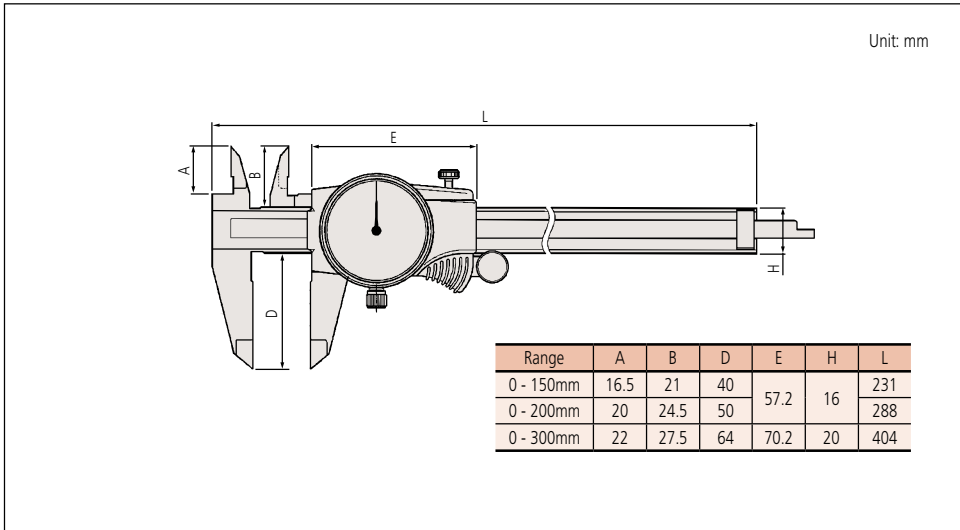
Inch				
Order No.	Range	Accuracy	Graduation	Remarks
505-740J / 505-742J*	0 - 6"	±.001"	.001", .1"/rev	Carbide-tipped jaws for outside measurement
505-736*		±.001"		
505-738*		±.001"		Carbide-tipped jaws for outside and inside measurement
505-744		±.001"		Carbide-tipped jaws for outside measurement
505-741J / 505-743J*	0 - 8"	±.002"	.001", .1"/rev	—
505-737*		±.002"		Carbide-tipped jaws for outside measurement
505-739*		±.002"		Carbide-tipped jaws for outside and inside measurement
505-749	0 - 12"	±.002"	.001", .2"/rev	—
505-746*		±.002"		
505-750		±.002"	.001", .2"/rev	Carbide-tipped jaws for outside measurement
505-747*		±.002"		
505-748*		±.002"	.001", .1"/rev	Carbide-tipped jaws for outside and inside measurement
505-748*		±.002"		

* Silver cover type

Calipers

An industry standard in measuring tools

DIMENSIONS



D