

Dial Indicators

Comparison measuring instruments which ensure high quality, high accuracy and reliability.



An inspection certificate is supplied as standard. Refer to page X for details.

SERIES 2 — Standard Type, 0.01mm Graduation

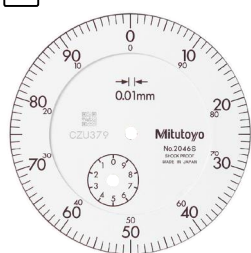
- Standard 0.01mm graduation dial gages having a bezel with an outside diameter of 57mm. All types come with limit markers and a bezel clamp as standard.
- The bezel clamp and lifting lever (optional) can be attached to either the right or left side. These parts can be easily installed and removed without tools.
- Secure adhesion between the bezel and crystal as well as the use of an O-ring prevents water or oil penetration.
- The spindle is made of high-strength quench-hardened stainless steel suitable for heavy-duty use.
- A carbide contact point is used.
- The grand gear is made of stainless steel with high resistance to wear and deformation.
- Application of a hard coating on the surface of the crystal makes the gage highly scratch- and chemical-resistant.



20465



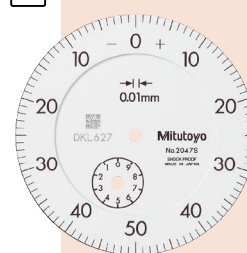
Continuous scale



Graduation: 0.01mm, Measuring range: 10mm
20465
20465-09
 Shockproof type



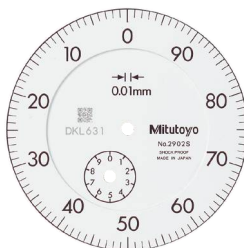
Balanced scale



Graduation: 0.01mm, Measuring range: 10mm
20475



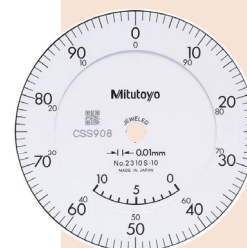
Reverse reading type. Suitable for depth and step measurement.



Graduation: 0.01mm, Measuring range: 10mm
29025



Continuous scale



Graduation: 0.01mm, Measuring range: 10mm
2310S-10
 With coaxial revolution counter
 Jeweled bearing type



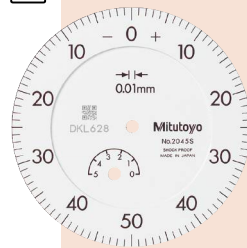
Continuous scale



Graduation: 0.01mm, Measuring range: 5mm
20445
20445-09
 Shockproof

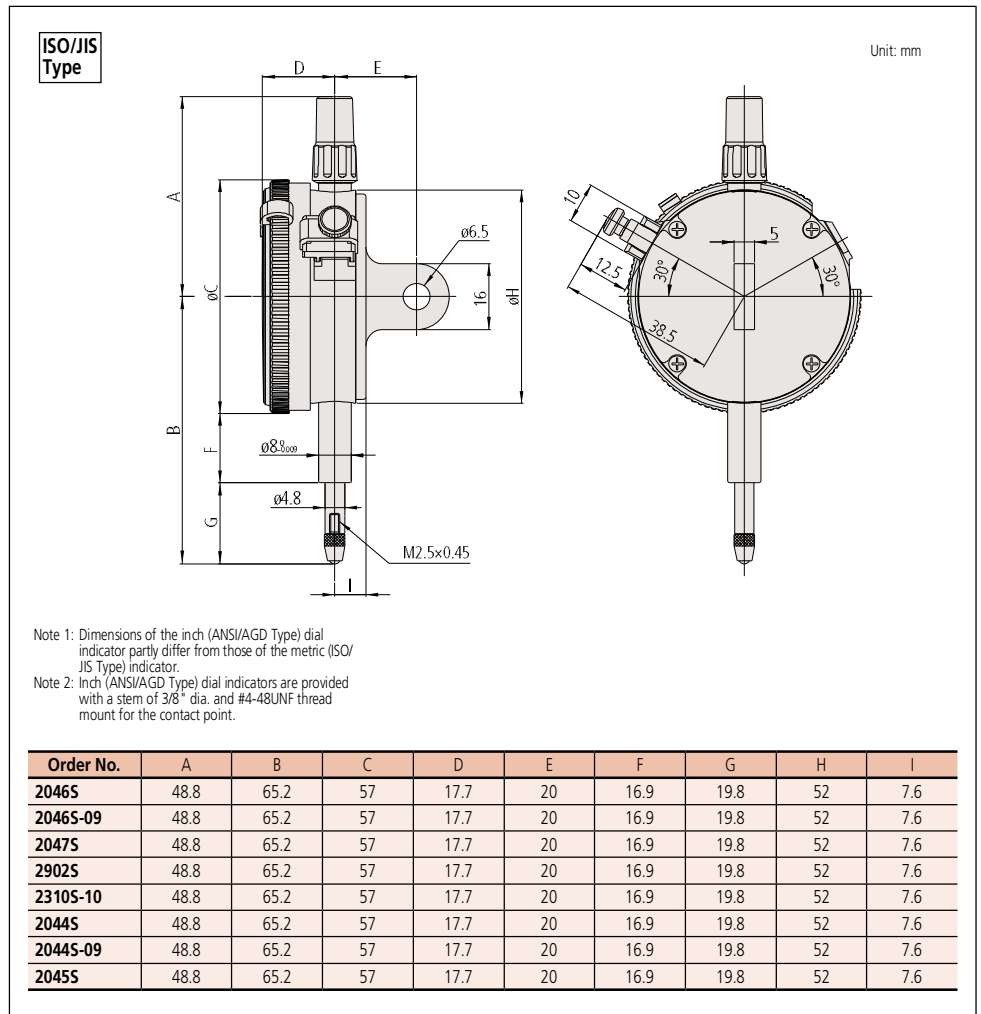


Balanced scale



Graduation: 0.01mm, Measuring range: 5mm
20455

DIMENSIONS



FEATURES

Metric									
Order No.	w/ lug	Flat-back	30°	15°	30°	60°	Diamond	Stem	Stem
2046S	2046SB	✓	—	—	—	—	—	—	—
2046S-09	2046SB-09	✓	—	—	✓	—	—	—	—
2047S	2047SB	—	✓	—	—	—	—	—	—
2902S	2902SB	—	—	✓	—	—	—	—	✓
2310S-10	2310SB-10	✓	—	—	—	—	✓	✓	—
2044S	2044SB	✓	—	—	—	—	—	—	—
2044S-09	2044SB-09	✓	—	—	✓	—	—	—	—
2045S	2045SB	—	✓	—	—	—	—	—	—

SPECIFICATIONS

Metric										□ ISO/JIS type		
Order No.	w/ lug	Flat-back	Graduation	Range (range/rev)	Accuracy				Repeat-ability	Dial reading	Measuring force	
					Overall	Retrace	1/10 Rev	1 Rev				
2046S	2046SB	0.01mm	10mm (1mm)	13μm	3μm	5μm	10μm	3μm	±0-100	1.4N or less		
2046S-09	2046SB-09	0.01mm	10mm (1mm)	15μm	3μm	5μm	10μm	3μm	±0-100	1.4N or less		
2047S	2047SB	0.01mm	10mm (1mm)	13μm	3μm	5μm	10μm	3μm	0-50-0	1.4N or less		
2902S	2902SB	0.01mm	10mm (1mm)	13μm	3μm	5μm	10μm	3μm	100-0	1.4N or less		
2310S-10	2310SB-10	0.01mm	10mm (1mm)	15μm	3μm	5μm	10μm	3μm	±0-100	1.4N or less		
2044S	2044SB	0.01mm	5mm (1mm)	12μm	3μm	5μm	10μm	3μm	±0-100	1.4N or less		
2044S-09	2044SB-09	0.01mm	5mm (1mm)	12μm	3μm	5μm	10μm	3μm	±0-100	1.4N or less		
2045S	2045SB	0.01mm	5mm (1mm)	12μm	3μm	5μm	10μm	3μm	0-50-0	1.4N or less		

* Completed products inspection is performed in the vertical position (contact point downward) and the stated accuracy is guaranteed.