

Dial Indicators

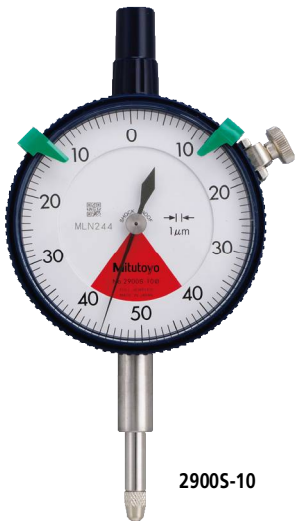
Comparison measuring instruments which ensure high quality, high accuracy and reliability.



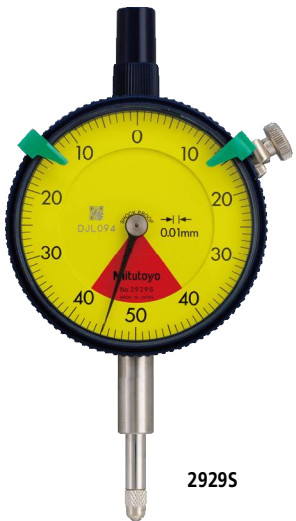
An inspection certificate is supplied as standard. Refer to page X for details.

SERIES 2 — Standard One Revolution Type for Error-free Reading

- Mitutoyo's unique shock-proof mechanism is incorporated, providing improved resistance to shock due to sudden spindle retraction caused by impact.
- This series has been developed to eliminate the possibility of reading errors due to miscounting multiple revolutions.
- The dead zone in red indicates "accuracy not guaranteed".



2900S-10



2929S

One revolution type Back plunger dial gages are also available. (Refer to pages F-49 to F-50 for details.)



2990T-10

Balanced scale



Graduation: 0.001mm,
Measuring range: 0.08mm

2900S-10

One revolution

Shockproof

Jeweled bearing

2900S-72

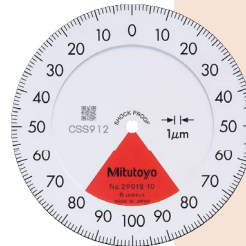
One revolution

Shockproof

Dustproof

Jeweled bearing

Balanced scale



Graduation: 0.001mm,
Measuring range: 0.16mm

2901S-10

One revolution

Shockproof

Jeweled bearing

Balanced scale



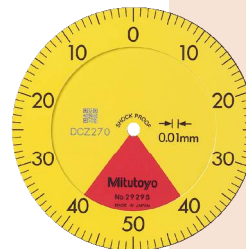
Graduation: 0.1mm,
Measuring range: 4mm

2928S

One revolution

Shockproof

Balanced scale



Graduation: 0.01mm,
Measuring range: 0.8mm

2929S

One revolution

Shockproof

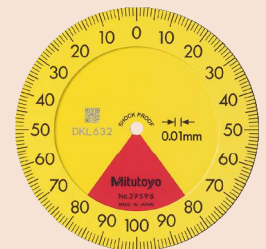
2929S-62

One revolution

Shockproof

Dustproof

Balanced scale



Graduation: 0.01mm,
Measuring range: 1.6mm

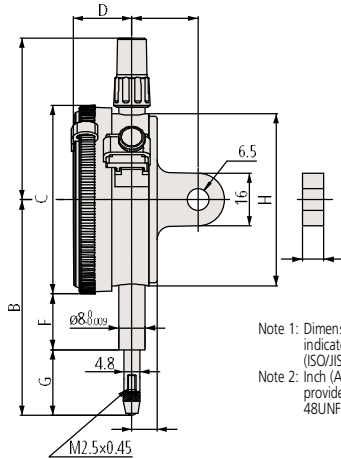
2959S

One revolution

Shockproof

DIMENSIONS

ISO/JIS Type

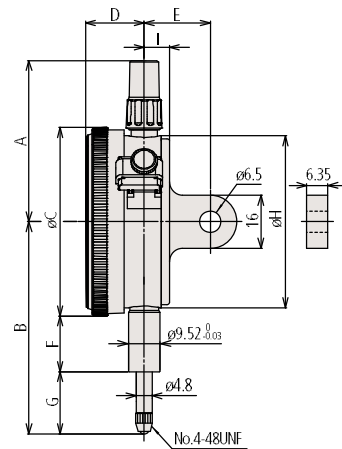


Note 1: Dimensions of the inch (ANSI/AGD Type) dial indicator partly differ from those of the metric (ISO/JIS Type) indicator.
 Note 2: Inch (ANSI/AGD Type) dial indicators are provided with a stem of 3/8" dia. and #4-48UNF thread mount for the contact point.

Order No.	A	B	C	D	E	F	G	H	I
2928S	48.8	65.2	57	17.7	20	16.9	19.8	52	7.6
2929S	48.8	65.2	57	17.7	20	16.9	19.8	52	7.6
2929S-62	48.8	65.2	57	17.7	20	16.9	19.8	52	7.6
2959S	48.8	65.2	57	17.7	20	16.9	19.8	52	7.6
2900S-10	48.8	66	57	17.7	20	16.9	20.6	52	7.6
2900S-72	48.8	66	57	17.7	20	16.9	20.6	52	7.6
2901S-10	48.8	66.1	57	17.7	20	16.9	20.7	52	7.6

ANSI/AGD Type

Unit: mm



Order No.	A	B	C	D	E	F	G	H	I
2909S-62	48.8	51.9	57	17.7	19	13.6	9.8	52	7.6
2910S-10	48.8	51.2	57	17.7	19	13.6	9.1	52	7.6

FEATURES

Metric

Order No.		ISO/JIS	62	72	10	72	10
w/ lug	Flat-back						
2928S	2928SB	✓	—	—	—	—	—
2929S	2929SB	✓	—	—	—	—	—
2929S-62	2929SB-62	✓	—	✓	—	—	—
2959S	2959SB	✓	—	—	—	—	—
2900S-10	2900SB-10	✓	—	—	✓	—	—
2900S-72	2900SB-72	✓	—	✓	✓	—	—
2901S-10	2901SB-10	✓	—	—	✓	—	—

Inch

Order No.		ISO/JIS	62	72	10	72	10
w/ lug	Flat-back						
2909S-62	2909SB-62	✓	—	✓	—	—	—
2910S-10	2910SB-10	✓	—	—	✓	—	—

SPECIFICATIONS

Metric

□ ISO/JIS type

Order No.		Graduation	Range (range/rev)	Accuracy				Repeatability	Dial reading	Measuring force
w/ lug	Flat-back			Overall	Retrace	1/10 Rev	1 Rev			
2928S	2928SB	0.1mm	4mm (5mm)	40μm	20μm	20μm	—	20μm	2-0-2	1.4N or less
2929S	2929SB	0.01mm	0.8mm (1mm)	8μm	3μm	5μm	—	3μm	40-0-40	1.4N or less
2929S-62	2929SB-62	0.01mm	0.8mm (1mm)	8μm	3μm	5μm	—	3μm	40-0-40	2.0N or less
2959S	2959SB	0.01mm	1.6mm (2mm)	10μm	3μm	5μm	—	3μm	80-0-80	1.4N or less
2900S-10	2900SB-10	0.001mm	0.08mm (0.1mm)	3μm	2μm	2μm	—	0.5μm	40-0-40	1.5N or less
2900S-72	2900SB-72	0.001mm	0.08mm (0.1mm)	3μm	2μm	2μm	—	0.5μm	40-0-40	2.0N or less
2901S-10	2901SB-10	0.001mm	0.16mm (0.2mm)	4μm	2μm	2μm	—	0.5μm	80-0-80	1.5N or less

* Completed products inspection is performed in the vertical position (contact point downward) and the stated accuracy is guaranteed.

Inch

□ ANSI/AGD type

Order No.		Graduation	Range (range/rev)	Accuracy		Repeatability	Dial reading	Measuring force
w/ lug	Flat-back			First 1 Rev / 2.5 Rev / 10 Rev	Retrace			
2909S-62	2909SB-62	.0005"	.04" / .05"	±.0005" / — / —	.00016"	±.0001"	20-0-20	2.5N or less
2910S-10	2910SB-10	.0001"	.008" / .01"	±.0001" / — / —	.0001"	±.00003"	4-0-4	1.8N or less

* Completed products inspection is performed in the vertical position (contact point downward) and the stated accuracy is guaranteed.