

# Dial Indicators

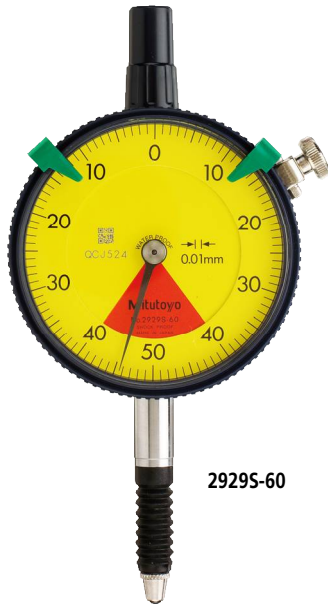
Comparison measuring instruments which ensure high quality, high accuracy and reliability.

## SERIES 2 — Standard One Revolution Type for Error-free Reading, Waterproof Type

- Mitutoyo's unique shock-proof mechanism is incorporated, providing improved resistance to shock due to sudden spindle retraction caused by impact.
- This series has been developed to eliminate the possibility of reading errors due to miscounting multiple revolutions.
- The dead zone in red indicates "accuracy not guaranteed".
- One revolution type Back plunger dial gages are also available. (Refer to pages F-44 to F-45 for details.)



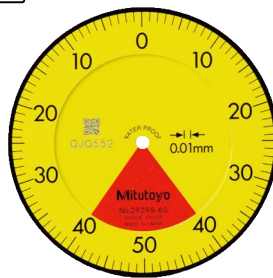
An inspection certificate is supplied as standard. Refer to page X for details.



2929S-60



Balanced scale



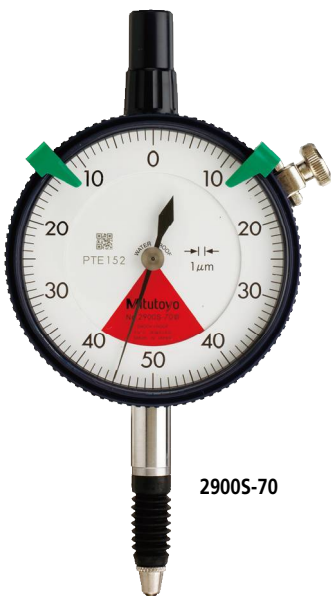
Graduation: 0.01mm,  
Measuring range: 0.8mm

2929S-60

One revolution

Shockproof

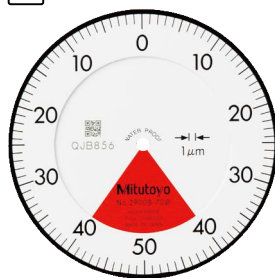
Waterproof



2900S-70



Balanced scale



Graduation: 0.001mm,  
Measuring range: 0.08mm

2900S-70

One revolution

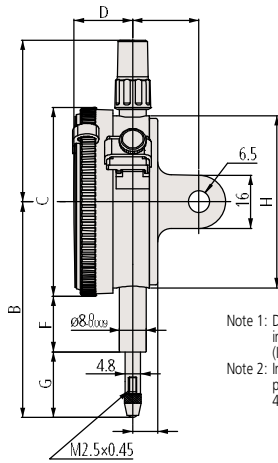
Shockproof

Waterproof

Jeweled bearing

## DIMENSIONS

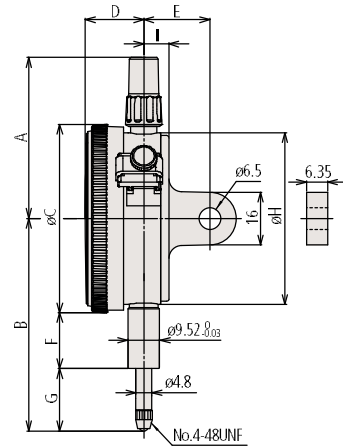
ISO/JIS Type



Note 1: Dimensions of the inch (ANSI/AGD Type) dial indicator partly differ from those of the metric (ISO/JIS Type) indicator.  
 Note 2: Inch (ANSI/AGD Type) dial indicators are provided with a stem of 3/8" dia. and #4-48UNF thread mount for the contact point.

Order No.	A	B	C	D	E	F	G	H	I
2929S-60	48.8	70	57	17.7	20	12.3	29.2	52	7.6
2900S-70	48.8	67	57	17.7	20	12.3	26.2	52	7.6

ANSI/AGD Type



Unit: mm

Order No.	A	B	C	D	E	F	G	H	I
2910S-72	48.8	51.2	57	17.7	19	13.6	9.1	52	7.6

## FEATURES

Metric

Order No.		Flat-back	3	64	Light	Diamond	—	—
2929S-60	2929SB-60	✓	✓	—	—	—	—	—
2900S-70	2900SB-70	✓	✓	—	✓	—	—	—

Inch

Order No.		Flat-back	3	64	Light	Diamond	—	—
2910S-72	2910SB-72	✓	✓	✓	✓	—	—	—

## SPECIFICATIONS

Metric

ISO/JIS type

Order No.		Graduation	Range (range/rev)	Accuracy				Repeatability	Dial reading	Measuring force
w/ lug	Flat-back			Overall	Retrace	1/10 Rev	1 Rev			
2929S-60	2929SB-60	0.01mm	0.8mm (1mm)	8μm	3μm	5μm	—	3μm	40-0-40	2.0N or less
2900S-70	2900SB-70	0.001mm	0.08mm (0.1mm)	3μm	2μm	2μm	—	0.5μm	40-0-40	2.0N or less

\* Completed products inspection is performed in the vertical position (contact point downward) and the stated accuracy is guaranteed.

Inch

ANSI/AGD type

Order No.		Graduation	Range (range/rev)	Accuracy		Repeatability	Dial reading	Measuring force
w/ lug	Flat-back			First 1 Rev / 2.5 Rev / 10 Rev	Retrace			
2910S-72	2910SB-72	.0001"	.008" / .01"	±.0001" / — / —	.0001"	±.00003"	4-0-4	2.5N or less

\* Completed products inspection is performed in the vertical position (contact point downward) and the stated accuracy is guaranteed.