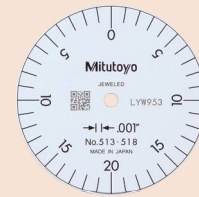


# Dial Test Indicators

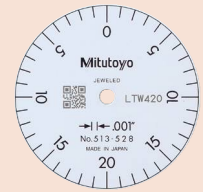
Comparison measuring instruments which ensure high quality, high accuracy and reliability.

## Pocket Type Dial Test Indicator SERIES 513

- Jeweled bearings assure higher sensitivity and accuracy. Indicator can be mounted by clamping the stem or the body (except for 513-517WE and 513-517WT).
- Reversible measuring direction (Clutch type).
- Two holding bars are supplied. (Full sets only.)
- Fully adjustable bezel/dial face.
- Stylus is adjustable within 220°.
- Bezel is sealed with an O-ring to keep out water and oil.



513-518



513-528



513-512



513-504



513-517E  
513-517WE



513-515T



513-514E



513-503E



513-501E

### Optional Accessories

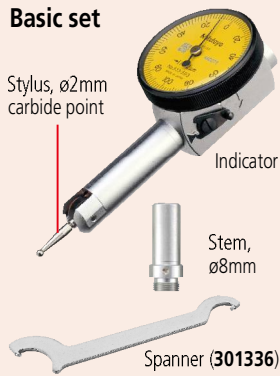
- : Swivel clamps (See page F-64.)
- : Holding bars (See page F-64.)
- : Stems (See page F-64.)
- : Styli (See page F-64.)

## Set Configuration: Metric

### Full set

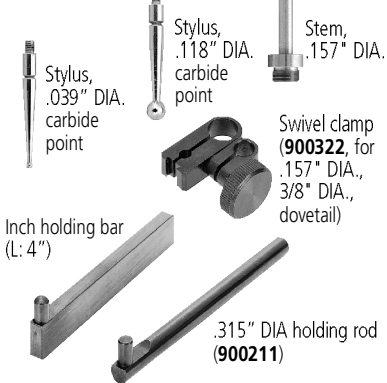


### Basic set

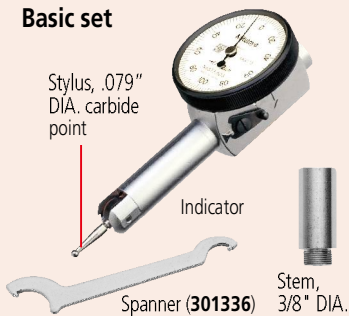


## Set Configuration: Inch

### Full set



### Basic set



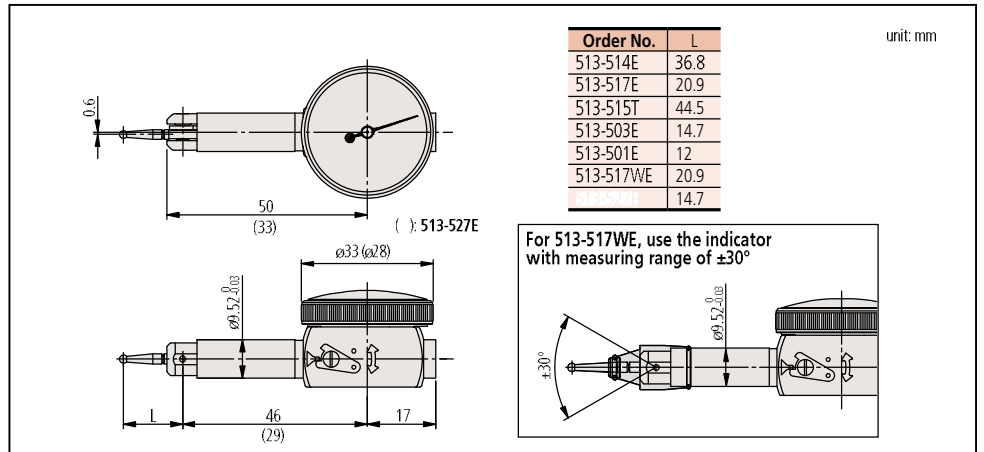
## SPECIFICATIONS

Order No.		Graduation	Range	Accuracy	Dial reading	Measuring force	Long stylus	Jeweled bearing	Graduation	Compact	—	—
Basic set	Full set											
513-514E	513-514T	0.01mm	0.5mm	10µm	0-25-0	0.3N or less	✓	✓	—	—	—	—
513-517E	513-517T	0.01mm	0.8mm	8µm	0-40-0	0.3N or less	—	✓	—	—	—	—
513-517WE	513-517WT	0.01mm	0.8mm	8µm	0-40-0	0.3N or less	—	✓	—	✓	—	—
513-527E	513-527T	0.01mm	0.8mm	8µm	0-40-0	0.3N or less	—	✓	✓	—	—	—
—	513-515T	0.01mm	1mm	10µm	0-50-0	0.3N or less	✓	✓	—	—	—	—
513-503E	513-503T	0.002mm	0.2mm	3µm	0-100-0	0.3N or less	—	✓	—	—	—	—
513-501E	513-501T	0.001mm	0.14mm	3µm	0-70-0	0.4N or less	—	✓	—	—	—	—

### Inch

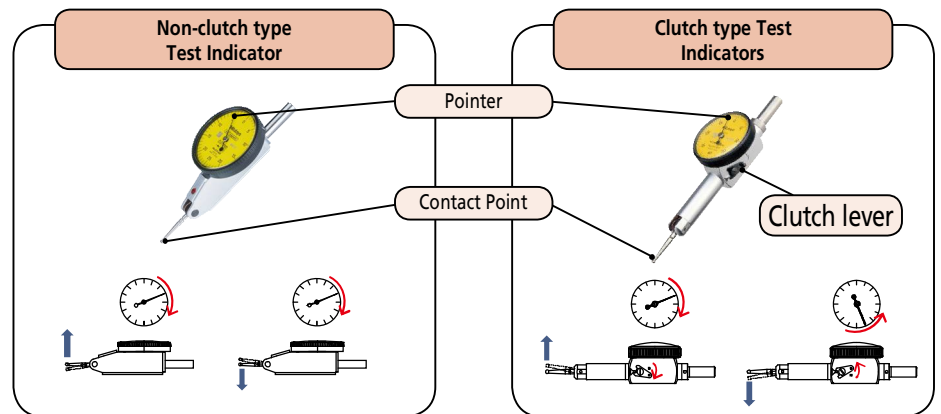
Order No.		Graduation	Range	Accuracy	Dial reading	Measuring force	Long stylus	Jeweled bearing	Graduation	Compact	—	—
Basic set	Full set											
513-518	513-518T	.001"	.04"	±.001"	0-20-0	0.3N or less	—	✓	—	—	—	—
513-528	513-528T	.001"	.04"	±.001"	0-20-0	0.3N or less	—	✓	✓	—	—	—
513-512	513-512T	.0005"	.02"	±.0005"	0-10-0	0.3N or less	✓	✓	—	—	—	—
513-504	513-504T	.0001"	.01"	±.0002"	0-5-0	0.3N or less	—	✓	—	—	—	—

## DIMENSIONS



## There are two types of Mitutoyo Dial Test Indicator:

The non-clutch type (without a clutch lever) and the clutch type (with a two-position clutch lever)



In the non-clutch type, although the contact point may move either in the upward or downward direction, the pointer always rotates clockwise.

In the clutch type, if the clutch lever is set in one position the contact point moves in the upward direction and the pointer rotates clockwise. Conversely, if the lever is set in the other position the contact point moves in the downward direction and the pointer rotates counterclockwise.