

Frameless Coordinate Measuring Machines SpaceMeasure



Transform the space you are in now into a measuring space

Coordinate Measuring Machines

NEW
Products



Catalog No. E16018

Mitutoyo

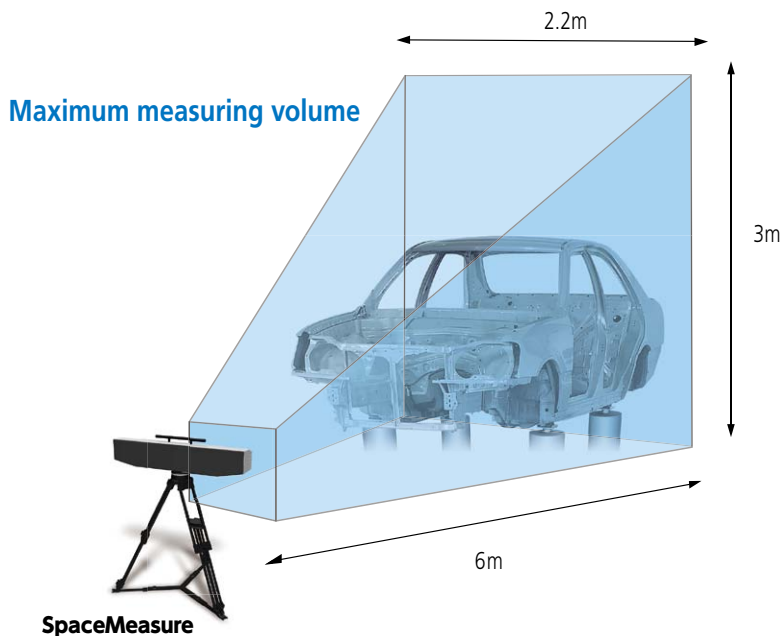


Frameless Coordinate Measuring Machines SpaceMeasure

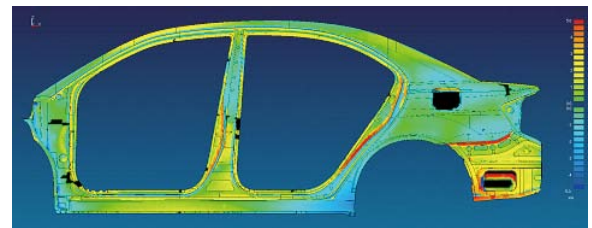


FEATURES

- Coordinate measuring machine which utilizes triangulation measurement by three line-CCD cameras and infrared LEDs
- Can select a contact or non-contact probe depending upon purpose
- Wide measuring range (up to 1.6-6m) and large measuring volume (up to 14.3 m³) make it suitable for measurement of car bodies, large-scale castings and so on.
- The machine can be moved to the workpiece and assembled, eliminating the need to develop and maintain a measuring environment, thus contributing to cost reduction.



Tolerancing comparison with 3D-model nominal geometry



SPECIFICATIONS

Model	SpaceMeasure 4000	SpaceMeasure 5000	SpaceMeasure 6000
Measurable distance (m)	1.6 - 4	1.6 - 5	1.6 - 6
Measuring area (volume) (m ³)	4.5	8.6	14.3

Mitutoyo Corporation

20-1, Sakado 1-Chome,
Takatsu-ku, Kawasaki-shi,
Kanagawa 213-8533, Japan
T +81 (0) 44 813-8230
F +81 (0) 44 813-8231
<http://www.mitutoyo.co.jp>

Mitutoyo

Export permission by the Japanese government may be required for exporting our products according to the Foreign Exchange and Foreign Trade Law. Please consult our sales office near you before you export our products or you offer technical information to a nonresident.

Coordinate Measuring Machines

Vision Measuring Systems

Form Measurement

Optical Measuring

Sensor Systems

Test Equipment and
Seismometers

Digital Scale and DRO Systems

Small Tool Instruments and
Data Management

Note: All information regarding our products, and in particular the illustrations, drawings, dimensional and performance data contained in this pamphlet, as well as other technical data are to be regarded as approximate average values. We therefore reserve the right to make changes to the corresponding designs, dimensions and weights. The stated standards, similar technical regulations, descriptions and illustrations of the products were valid at the time of printing. Only quotations submitted by ourselves may be regarded as definitive.

Our products are classified as regulated items under Japanese Foreign Exchange and Foreign Trade Law. Please consult us in advance if you wish to export our products to any other country. If the purchased product is exported, even though it is not a regulated item (Catch-All controls item), the customer service available for that product may be affected. If you have any questions, please consult your local Mitutoyo sales office.